

Omnidirectional Antenna Vertical Polarization

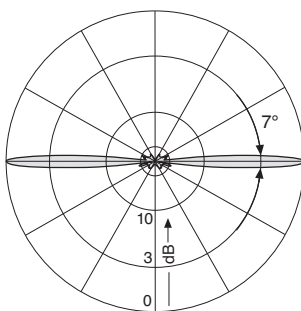
870-960

V

KATHREIN

VPol Omni 870-960 360° 11dBi

Type No.	736347
Frequency range	870 – 960 MHz
Polarization	Vertical
Gain	11 dBi
Impedance	50 Ω
VSWR	< 1.5
Intermodulation IM3	< -150 dBc (2 x 43 dBm carrier)
Max. power	500 W (at 50 °C ambient temperature)



Vertical Pattern

Mechanical specifications	
Input	7-16 female
Connector position	Bottom
Wind load (N) (at 150 km/h) [lbf]	210 [47]
Max. wind velocity (km/h) [mph]	200 [124]
Height (mm) [inches]	3033 [119.4]
Radome diameter (mm) [inches]	51 [2.0]
Weight (kg) [lb]	8.0 [17.6]
Packing size (mm) [inches]	3316 x 148 x 112 [130.6 x 5.8 x 4.4]

936.1062/i Subject to alteration.

All specifications are subject to change without notice.
The latest specifications are available at www.kathreinusa.com

736347 Page 1 of 2

Accessories

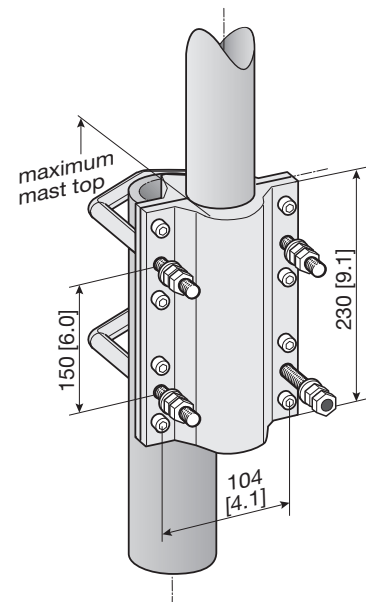
General Information

KATHREIN

Accessories (order separately)

Type No.	Description	Remarks (mm) [inches]	Weight approx. (kg) [lb]	Units per antenna
738908	2 clamps	Mast diameter: 94–125 [3.7–5.0]	2.8 [6.2]	1
737398	Side-mounting bracket	Mast diameter: 40–105 [1.6–4.1]	6.4 [14.1]	1

- Mounting:** The antenna can be attached laterally at the tip of a tubular mast of 50–94 mm [2.0–3.7 inches] diameter with two U-bolt brackets supplied with the antenna (connecting cable runs outside the mast).
- Material:** **Radiator:** Copper and brass. **Radome:** Fiberglass, color: Grey. **Base:** Weather-proof aluminum. **Mounting kit, screws and nuts:** Stainless steel.
- Solid, reliable construction:** Omnidirectional antennas are often installed at exposed sites on the top of masts, so special attention has been paid to their mechanical construction. The exceptionally stiff fiberglass tube with low tip deflection will withstand wind velocities of up to 200 km/h [125 mph].
- Anti-static protection:** All metal parts of the antenna as well as the supplied clamp attachment are grounded. The inner conductor is capacitively coupled.
- Lightning protection:** The antenna is designed to withstand a lightning current of up to 150 KA (impulse: 10/350 μ s), according to IEC 62305 parts 1–4 and VDE 0855-300, and thereby fulfils the requirements of lightning protection class II. Grounding cross-section: 22 mm² copper.



Dimensions in mm and [inches]

Any previous data sheet issues have now become invalid.