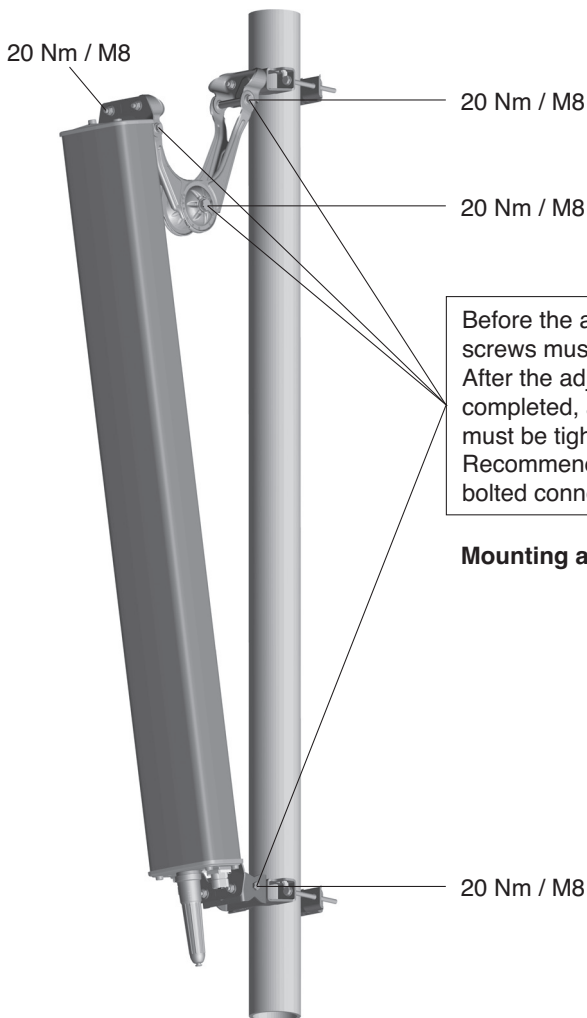


# Standard Downtilt kit for Panel Antennas (Wind load Category “L”)

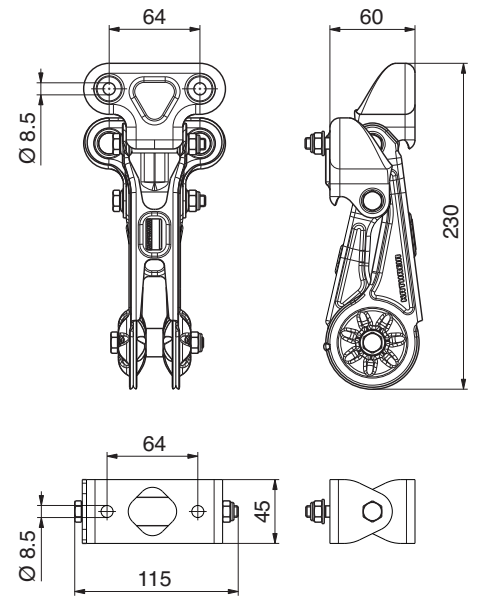
## Downtilt kit

Type No.	<b>732327</b>
Preferred range of use	– Panel antennas with attached mounting plates – <b>Downtilt kit without scale for universal use</b>
Weight	1.3 kg
Material	Hot-dip galvanized steel
Screws	Hot-dip galvanized steel / stainless steel
Nuts / washers	Stainless steel



Before the adjustment, all joint screws must be loosened. After the adjustment has been completed, all loosened screws must be tightened. Recommended torque for M8 bolted connections: 20 Nm.

**Mounting accessories included.**



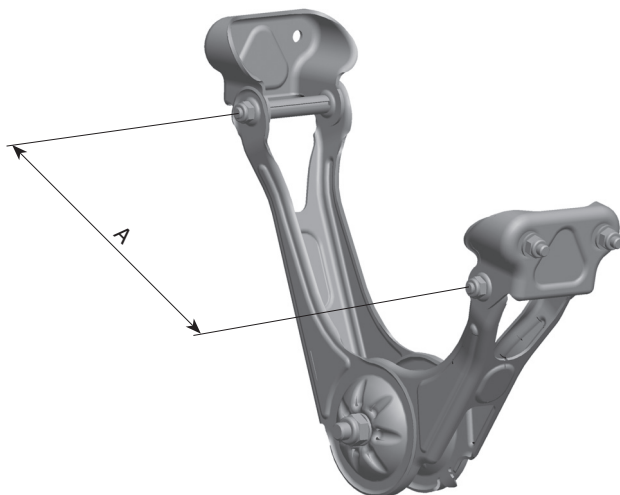
936.4063/c Subject to alteration.

Instructions to adjust the required downtilt angle are given in the datasheet or on the rearside of the antenna.

Mounting this downtilt kit enlarges the spacing between mast and antenna by 42 mm.

Use the downtilt kit together with the clamps as described in the antenna datasheet.

# Standard Downtilt kit for Panel Antennas (Wind load Category "L")



Distance "A" between the jointbolts of the downtilt kit in mm (max. 395 mm).

You will find the values for "A" on the sticker on the backside of the antenna.

For example:

**KATHREIN** Designed in Germany  
Made in  

Type no. XXXXXXXX  

Type

Serial no.    

A	X mm	
1°	77	
2°	104	
3°	138	
4°	174	
5°	212	
7°	290	
9°	369	