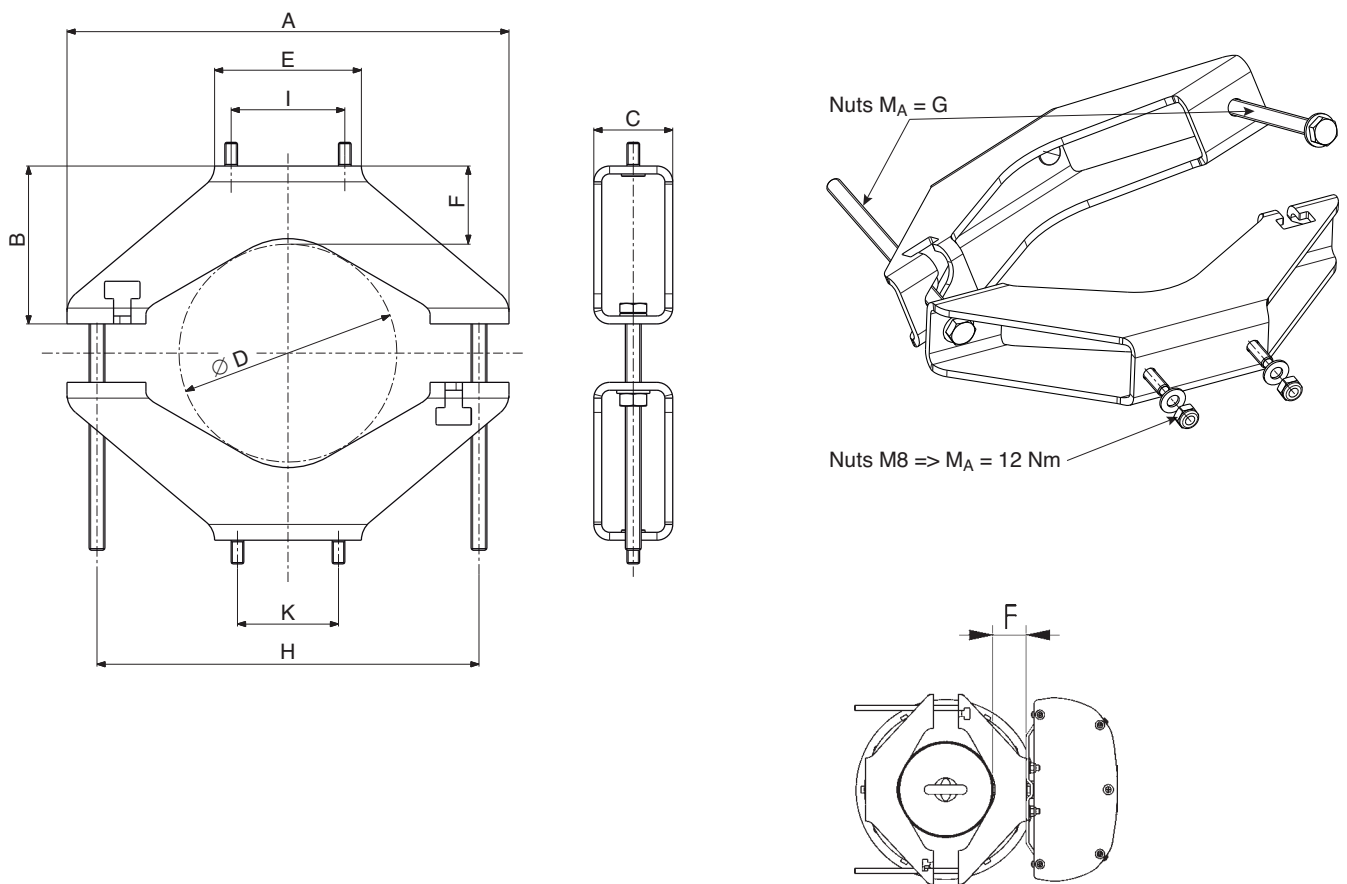


# Panel Accessories Mounting Hardware Clamps

## Clamps

Type No.	731651	738546	85010002	85010003
Suitable for mast diameter	28 – 60 mm	42 – 115 mm	110 – 220 mm	210 – 380 mm
Antenna – mast distance F	25 – 28 mm	20 – 26 mm	47 – 55 mm	48 – 68 mm
Number of pieces	1 clamp	1 clamp	1 clamp	1 clamp
Material – Clamp	Hot-dip galvanized steel	Hot-dip galvanized steel	Hot-dip galvanized steel	Hot-dip galvanized steel
– Screws	Hot-dip galvanized steel/ Stainless steel	Hot-dip galvanized steel/ Stainless steel	Hot-dip galvanized steel/ Stainless steel	Stainless steel/ Stainless steel
– Nuts	Stainless steel	Stainless steel	Stainless steel	Stainless steel
Weight	0.8 kg	1.1 kg	2.7 kg	4.8 kg



Type No.	A	B	C	D	E	F	G	H	I	K
731651	116 mm	40 mm	40 mm	28 – 60 mm	93 mm	25 – 28 mm	20 Nm	84 mm	–	64 mm
738546	152 mm	40 mm	40 mm	42 – 115 mm	93 mm	20 – 26 mm	25 Nm	125 mm	72 mm	64 mm
85010002	280 mm	100 mm	50 mm	110 – 220 mm	93 mm	47 – 55 mm	35 Nm	240 mm	72 mm	64 mm
85010003	442 mm	150 mm	50 mm	210 – 380 mm	150 mm	48 – 68 mm	35 Nm	392 mm	72 mm	64 mm

936.3925/f Subject to alteration.

**Please note: Kathrein does not recommend to use counter nuts.  
The additional nuts supplied are only meant as spares.**

# Mounting Instructions

## Clamps

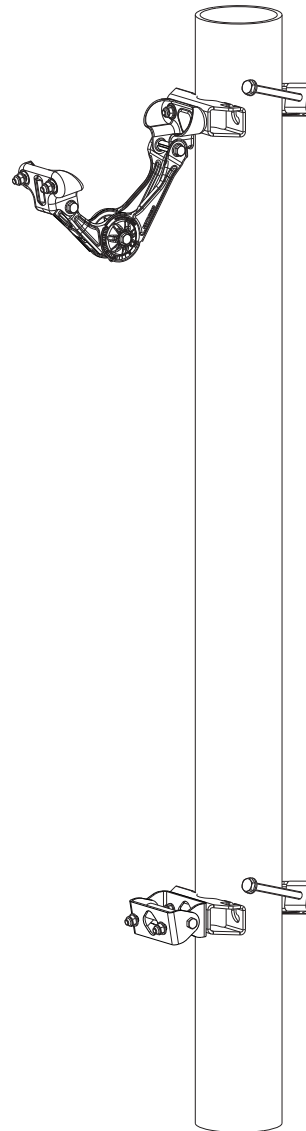
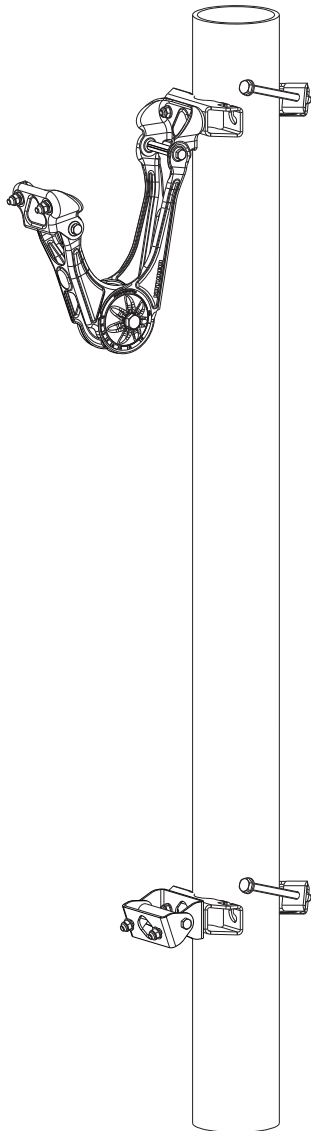
731651, 738546, 85010002, 85010003

**KATHREIN**

Antennen · Electronic

Medium downtilt kit /  
Heavy downtilt kit use interface "I"

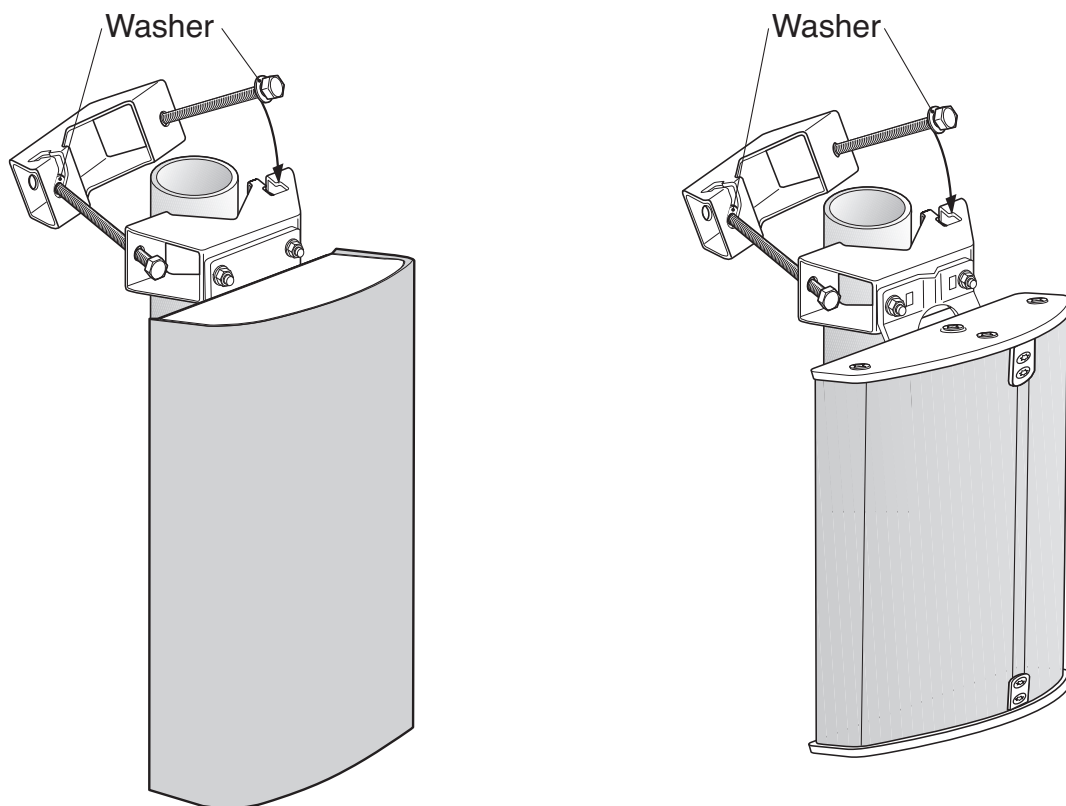
Light downtilt kit



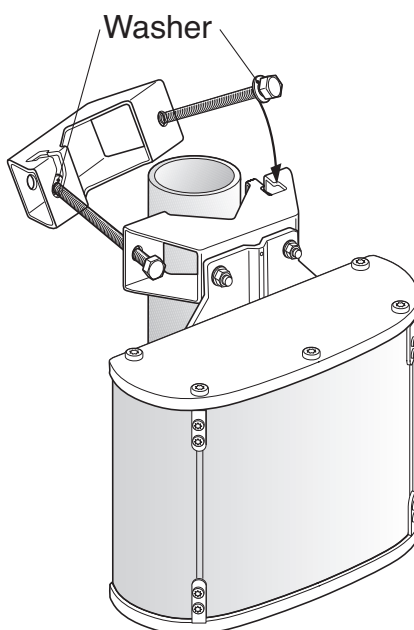
# Mounting Instructions

## Clamps

731651, 738546, 85010002, 85010003



Mounting clamp in combination with different panel antennas.



936.3925/f Subject to alteration.