



NEW

UHF Universal Panel

Horizontal Polarisation



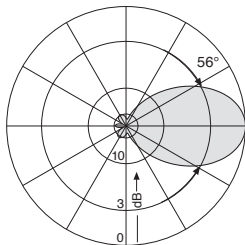
BROADCAST

KATHREIN

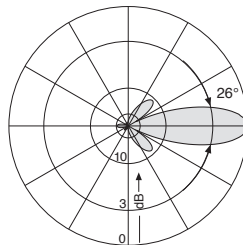
> Features

- Broadband applicable 470-862 MHz
- From 1-4 kW, each panel
- All-purpose panel for mounting by fixations or to square steel spines
- High Quality (VSWR 1.1)
- Best in price
- Short delivery time

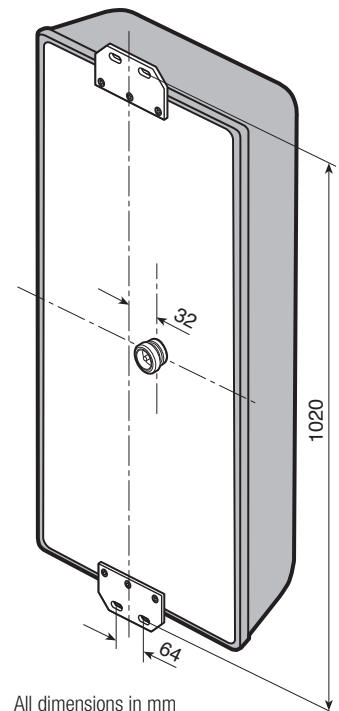
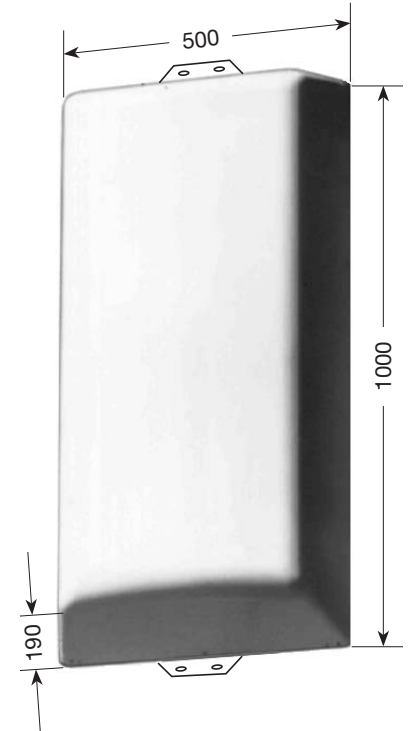
> Radiation Patterns (at mid-band)



Horizontal Radiation Pattern



Vertical Radiation Pattern



All dimensions in mm

Order No.	75010210	75010211	75010212	75010213
Input	7-16 female straight	7/8" EIA flange straight	13-30 female straight	15/8" EIA flange straight
Max. power	1.2 kW	1.5 kW	2.5 kW	4 kW
	(at 40 °C ambient temperature)			
Frequency range	470 – 862 MHz			
VSWR	< 1.1			
Gain (at mid-band)	11.5 dBd			
Impedance	50 Ω			
Polarization	Horizontal			
Weight	8.5 kg		9 kg	
Wind load (at 160 km/h)	Frontal: 565 N/Rearside: 815 N/Lateral: 250 N			
Max. wind velocity	225 km/h			
Attachment	Plate			
Material	Reflector screen and dipoles: Weather-resistant aluminum. Protective/cover: Fiberglass/Attachment plate: Hot-dip galvanized steel			
Radome color	RAL 9016 (traffic white), other radome colors on request			
Mounting	Using M 8 x 35 screws (supplied) to suitable attachment construction			
Grounding	Via mounting parts			

Ice protection

The dipoles remain fully functioning even in icy conditions as the fiberglass cover protects the whole antenna