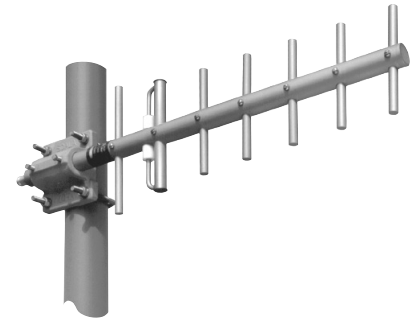


TY-900 YAGI ANTENNA

The KUSA TY series are rugged broadband yagi antennas fabricated of 6061-T6 aluminum rod and 6063-T6 extruded pipe, anodized for maximum reliability and corrosion resistance. The hardware and fastenings are stainless steel. The internal balun, coax feed and connector are sealed in a foam potting system to prevent moisture penetration and assure long service life in severe environmental conditions. The heavy aluminum mounting casting allows installation for V or H polarization.

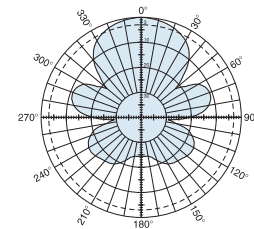
- The TY-900 is specifically designed for professional fixed-station applications in the 890–960 MHz band.



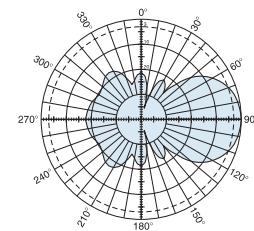
(Shown vertically polarized)

Specifications	
Frequency range	890–960 MHz
Gain	12 dBi
Impedance	50 ohms
VSWR	<1.5:1 maximum (1.35:1 typical)
Polarization	Horizontal or vertical
Front-to-back ratio	>20 dB
Maximum input power	100 watts (at 50°C)
H-plane beamwidth	48 degrees (half-power)
E-plane beamwidth	40 degrees (half-power)
Connector	N female
Weight	3 lb (1.4 kg)
Dimensions	23 x 6.8 inches (584 x 173 mm)
Wind load at 93 mph (150 kph)	
Front / Side	3 lbf / 4 lbf (11 N / 17 N)
Wind survival rating*	150 mph (241 kph)
Shipping dimensions	28 x 10 x 4.5 inches (maximum) (711 x 254 x 114 mm)
Shipping weight	5 lb (2.3 kg)
Mounting	For masts of 1.25 to 2.375 inch (32 to 60 mm) OD.

* Mechanical design is based on environmental conditions as stipulated in TIA-222-G-2 (December 2009) and/or ETS 300 019-1-4 which include the static mechanical load imposed on an antenna by wind at maximum velocity. See the Engineering Section of the catalog for further details.



H-plane
Horizontal pattern — V-polarization
Vertical pattern — H-polarization



E-plane
Horizontal pattern — H-polarization
Vertical pattern — V-polarization

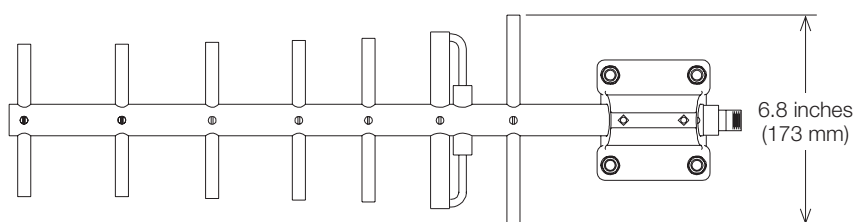
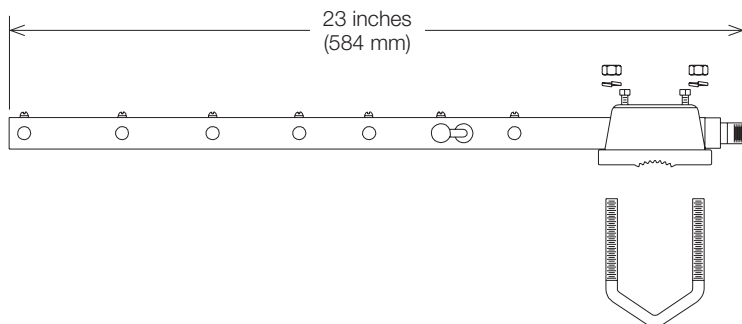
10065f subject to alteration



All specifications are subject to change without notice.
The latest specifications are available at www.kathreinusa.com

TY-900
YAGI ANTENNA

KATHREIN



10065f subject to alteration