

# RA5-400B

## Radome Protected Yagi Antenna

406—512 MHz

**KATHREIN**

The KUSA RA5-400B broadband dipole antenna is intended for use in professional fixed-station applications in the 406—512 MHz band.

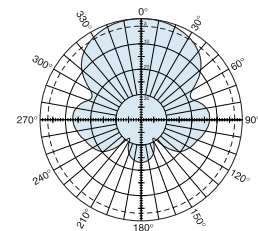
It features:

- Heavy-duty fiberglass radome to protect antenna.
- Balanced driven element for superior performance in icing conditions.
- Internal balun and dipole feedpoint sealed within the boom assembly.
- Anodized aluminum 6063-T6 pipe and 6061-T6 tubing.
- Heavy-duty aluminum castings and stainless steel hardware.
- Entire antenna at DC ground potential.
- Dual and quad arrays available.

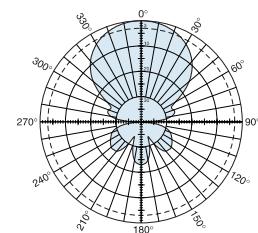


(Shown vertically polarized)

Specifications	
Frequency range	406—512 MHz in 6 MHz segments
Gain	12 dBi
Impedance	50 ohms
VSWR	<1.3:1 ± 1 MHz <1.5:1 ± 3 MHz
Polarization	Horizontal or vertical
Front-to-back ratio	>23 dB
Maximum input power	250 watts (at 50°C)
H-plane beamwidth	66 degrees (half-power)
E-plane beamwidth	50 degrees (half-power)
Connector	N female
Weight	16.0 lb (7.3 kg)
Dimensions	29 x 17 x 12 inches (737 x 432 x 305 mm)
Wind load at 93 mph (150 kph)	
Side / Top / Rear	63 lbf / 16 lbf / 37 lbf (280 N) / (71 N) / (165 N)
Wind survival rating*	120 mph (193 kph)
Shipping dimensions	31 x 20 x 14.5 inches (787 x 508 x 368 mm)
Shipping weight	28.0 lb (12.7 kg)
Mounting	Mounting kits available for masts of 2.375 to 4.5 inch (60 to 114 mm) OD.



H-plane  
Horizontal pattern — V-polarization  
Vertical pattern — H-polarization



E-plane  
Horizontal pattern — H-polarization  
Vertical pattern — V-polarization

\* Mechanical design is based on environmental conditions as stipulated in TIA-222-G-2 (December 2009) and/or ETS 300 019-1-4 which include the static mechanical load imposed on an antenna by wind at maximum velocity. See the Engineering Section of the catalog for further details.

10105g subject to alteration



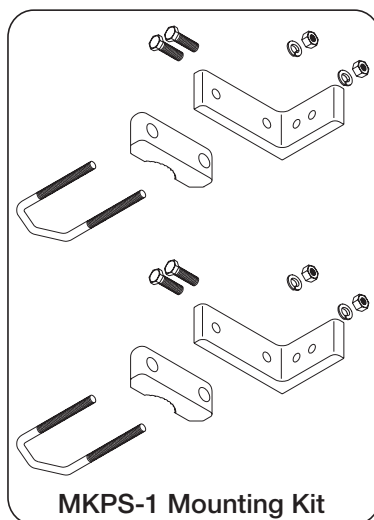
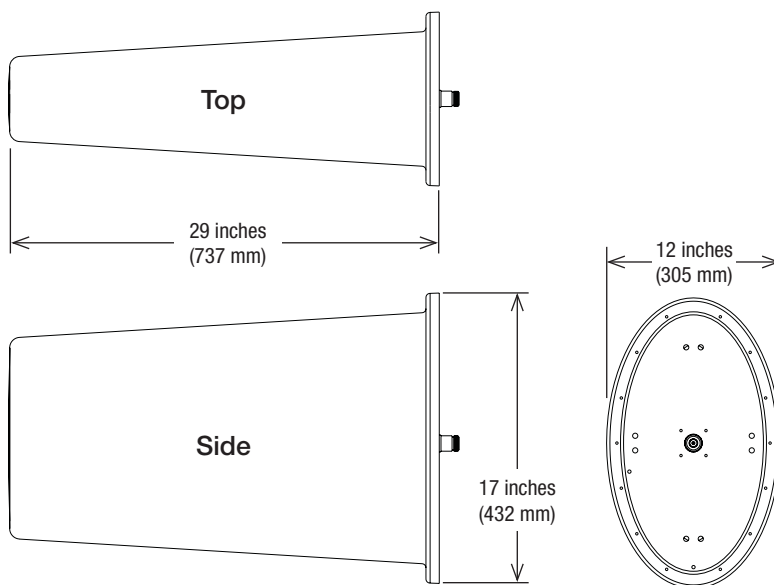
All specifications are subject to change without notice.  
The latest specifications are available at [www.kathreinusa.com](http://www.kathreinusa.com)

# RA5-400B

## Radome Protected Yagi Antenna

406—512 MHz

# KATHREIN



### Mounting options

Model	Description
MKPS-1 (shown)	Mounting kit for 2.375 inch (60 mm) OD mast
MKPS-2	Mounting kit for 2.875 inch (73 mm) OD mast
MKPS-3	Mounting kit for 3.5 inch (89 mm) OD mast
MKPS-4	Mounting kit for 4 inch (102 mm) OD mast
MKPS-5	Mounting kit for 4.5 inch (114 mm) OD mast

10105g subject to alteration