

PR-950 High-Gain Half-Parabolic Antenna

KATHREIN

The KUSA Paralector® is a medium-gain half-parabolic antenna used in broadcast and communications systems around the world.

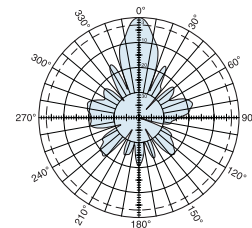
- High front-to-back ratio for point-to-point relay system applications, as well as GSM cellular repeaters and MAS and ISM systems.
- Fabricated from seamless drawn aluminum tubing and extruded pipe and heavy aluminum castings, gold anodized for corrosion protection, plus stainless steel hardware and fastenings. Foam filled broadband feed assembly requires no pressurization and can be easily replaced if necessary.



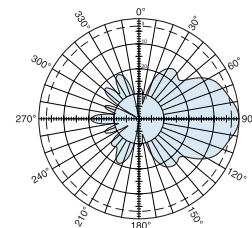
Specifications	
Frequency range	940—960 MHz
Gain	18 dBi
Impedance	50 ohms
VSWR	<1.2:1
Polarization	Horizontal or vertical
Front-to-back ratio	>25 dB
Maximum input power	100 watts (at 50°C)
H-plane beamwidth	12 degrees (half-power)
E-plane beamwidth	24 degrees (half-power)
Connector	N female
Weight	38 lb (17.2 kg)
Dimensions	68 x 36 x 18 inches (1727 x 914 x 457 mm)
Wind load at 93 mph (150 kph)	
Front / side	134 lbf / 72 lbf (594 N) / (320 N)
Wind survival rating*	100 mph (160 kph)
Shipping dimensions	40 x 36 x 7 inches (1016 x 914 x 178 mm)
Shipping weight	47 lb (21.3 kg)
Mounting	Mounting kits available for masts of 2.375 to 4.5 inch (60 to 114 mm) OD.

* Mechanical design is based on environmental conditions as stipulated in TIA-222-G-2 (December 2009) and/or ETS 300 019-1-4 which include the static mechanical load imposed on an antenna by wind at maximum velocity. See the Engineering Section of the catalog for further details.

PARAFLECTOR is a registered trademark of Kathrein USA.



H-plane
Horizontal pattern — V-polarization
Vertical pattern — H-polarization

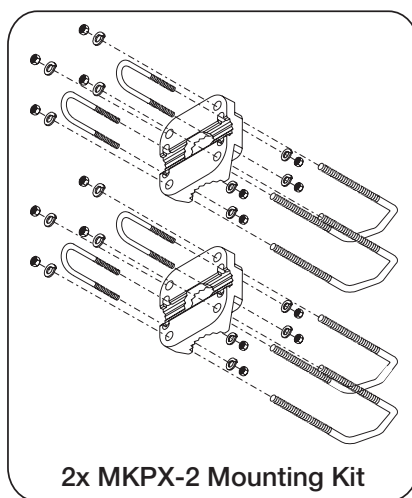
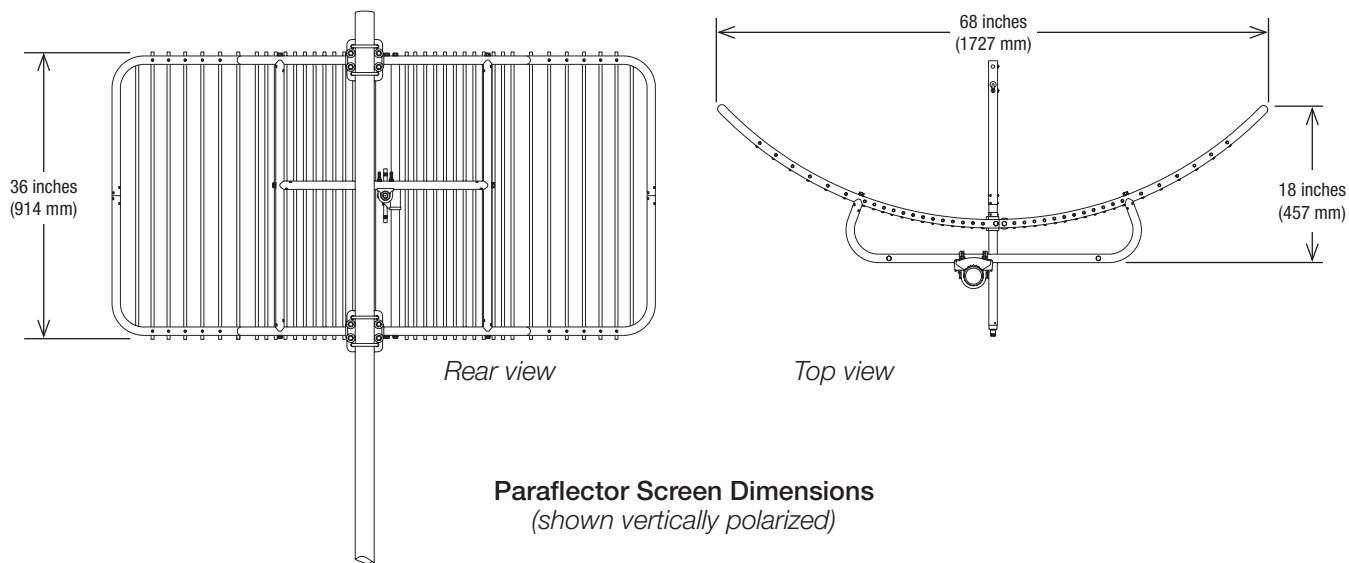


E-plane
Horizontal pattern — H-polarization
Vertical pattern — V-polarization

10056m subject to alteration



All specifications are subject to change without notice.
The latest specifications are available at www.kathreinusa.com



Mounting options

Model	Description
MKPX-2 (2x)	Mounting kit for 2.375 inch (60 mm) OD mast
MKPX-9	Mounting kit for 2.875 inch (73 mm) OD mast
MKPX-10	Mounting kit for 3.5 inch (89 mm) OD mast
MKPX-11	Mounting kit for 4 inch (102 mm) OD mast
MKPX-12	Mounting kit for 4.5 inch (114 mm) OD mast
MKTB-1	Tilt Mount Kit, 8–39 degrees tilt angle. Used with any MKPX kit listed above.

10056m subject to alteration