

Offset Pattern High Gain Antenna

225 – 400 MHz

K 75 32 11

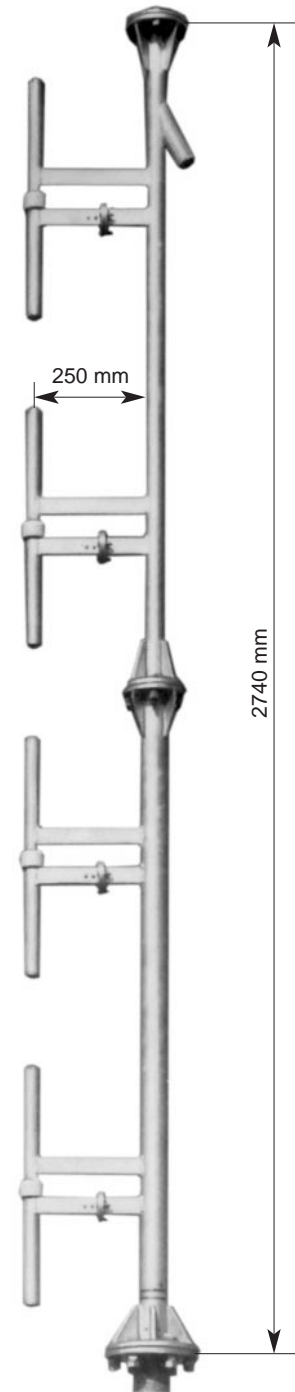
8 dB offset pattern antenna.
Hot dip galvanized steel.

Type No.	K 75 32 11
Input	N female connector inside of the mounting flange
Frequency range	225 – 400 MHz
VSWR	< 1.7
Gain (ref. $\lambda/2$ dipole)	8 dB
Impedance	50 Ω
Polarization	Vertical
Max. Power	300 Watt (at 50 °C ambient temperature)
Weight	40 kg
Windload	450 N (at 160 km/h)
Max. wind velocity	200 km/h (incl. $1/2''$ radial ice)
Packing size	2800 x 400 x 200 mm
Antenna height	2740 mm
Distance dipole/mast	250 mm

Material: Hot dip galvanized steel.
All screws and nuts: Stainless steel.

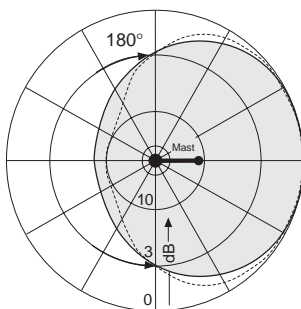
Mounting: Via standard flange 190 mm diameter.
The upper flange is suitable for installation of an obstruction light.

Grounding: All metal parts of the antenna including the mounting kit are DC grounded.

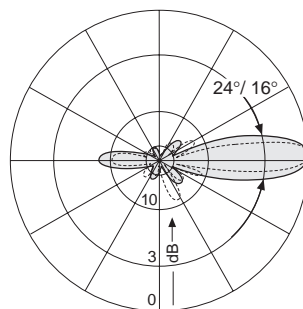


Radiation Pattern (at mid-band)

— 225 MHz 400 MHz



Horizontal Pattern



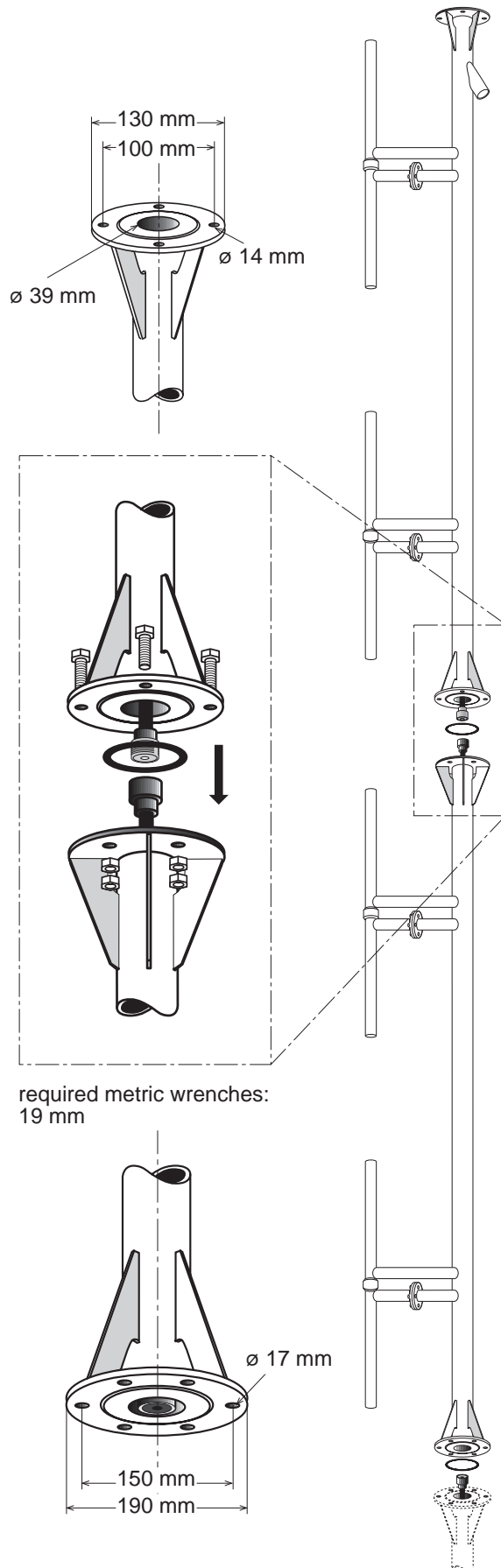
Vertical Pattern

All specifications are subject to change without notice.
The latest specifications are available at www.kathreinusa.com

Mounting Instruction

Offset Pattern High Gain Antenna

K 75 32 11



9985.591/0200/0.5/ZW/HA Subject to alteration.

All specifications are subject to change without notice.
The latest specifications are available at www.kathreinusa.com