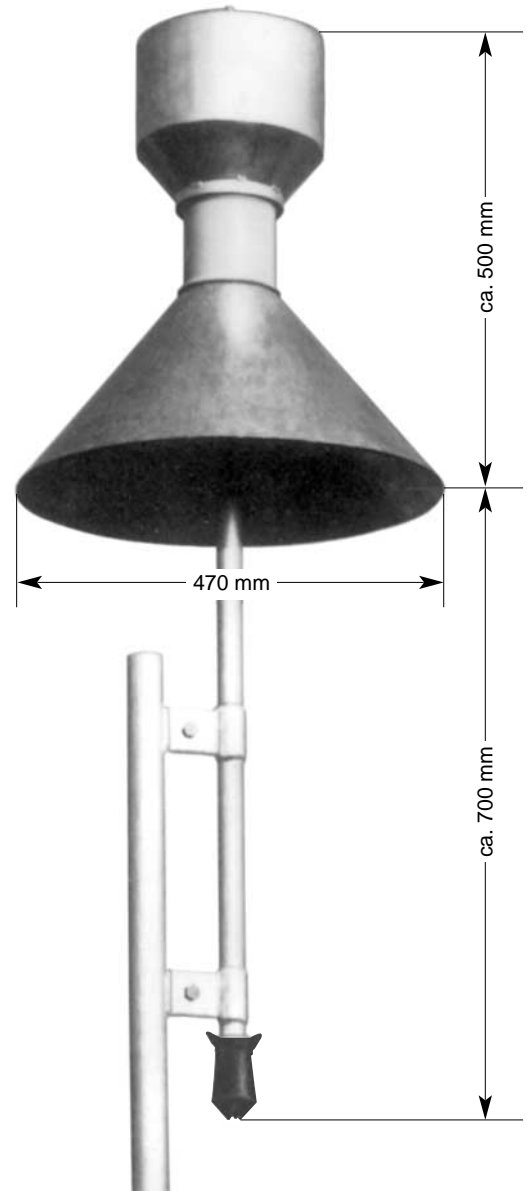


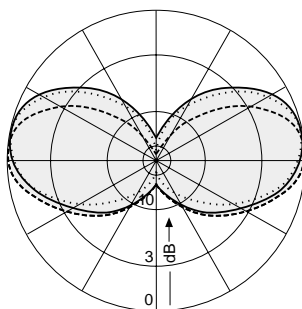
# Cone Antenna 225 – 400 MHz K 75 10 11

Type No.	K 75 10 11
Input	N female connector in a weather protective housing at the end of the support pipe
Frequency range	225 – 400 MHz
VSWR	< 1.8
Gain (ref. $\lambda/2$ dipole)	0.5 dB
Impedance	50 $\Omega$
Polarization	Vertical
Max. Power	290 Watt (at 50 °C ambient temperature)
Weight	9.5 kg
Windload	160 N (at 160 km/h)
Max. wind velocity	200 km/h
Packing size	1250 x 520 x 520 mm

- Material:** Hot-dip galvanized steel.  
All screws and nuts: Stainless steel.
- Montage:** Parallel mounting at the top of the mast by means of two butt straps (see mounting instruction).
- Grounding:** The antenna is DC grounded by a cross-section of 400 mm<sup>2</sup> hot dip galvanized steel.
- Scope of supply:** Antenna without mounting hardware.



**Radiation Pattern (at mid-band)**  
 ——— 225 MHz    ..... 310 MHz    - - - - - 400 MHz

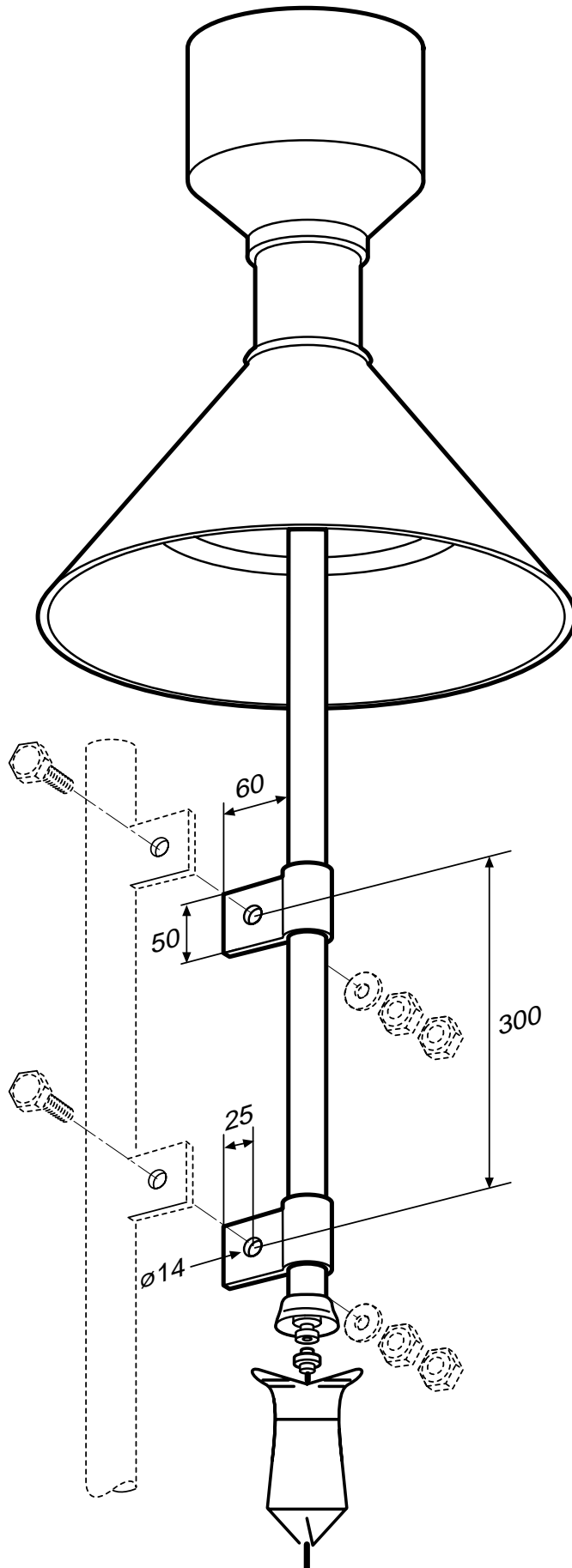


Vertical Pattern

936.208 Subject to alteration.

All specifications are subject to change without notice.  
The latest specifications are available at [www.kathreinusa.com](http://www.kathreinusa.com)

**Cone Antenna**  
**225 – 400 MHz**  
**K 75 10 11**



All specifications are subject to change without notice.  
The latest specifications are available at [www.kathreinusa.com](http://www.kathreinusa.com)