

# Offset Pattern Gain Antenna

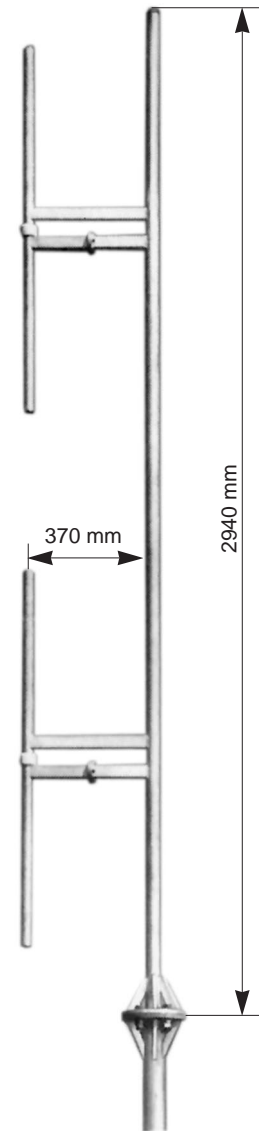
## 118 – 136 MHz

### K 55 31 31

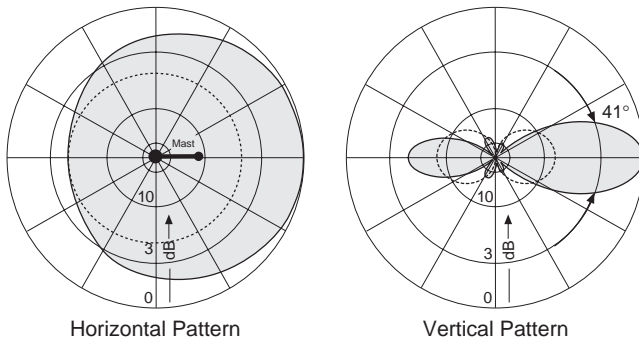
**5 dB offset pattern antenna.**  
**Hot dip galvanized steel.**

Type No.	K 55 31 31
Input	N female connector inside of the mounting flange
Frequency range	118 – 136 MHz
VSWR	< 1.5
Gain (ref. $\lambda/2$ dipole)	5 dB
Impedance	50 $\Omega$
Polarization	Vertical
Max. Power	280 Watt (at 50 °C ambient temperature)
Weight	20 kg
Windload	370 N (at 160 km/h)
Max. wind velocity	
w/o ice	200 km/h
$1/2$ " radial ice	150 km/h
Packing size	3000 x 510 x 200 mm
Antenna height	2940 mm
Distance dipole/mast	370 mm

- Material:** Hot-dip galvanized steel.  
All screws and nuts: Stainless steel.
- Mounting:** Flange 190 mm OD for mounting on a flanged pipe (see rearside).
- Grounding:** The antenna is DC grounded by a cross-section of 342 mm<sup>2</sup> hot dip galvanized steel.
- Scope of supply:** Antenna with neoprene O-ring at the flange, but without mounting hardware.



**Radiation Pattern (at mid-band)**



All specifications are subject to change without notice.  
The latest specifications are available at [www.kathreinusa.com](http://www.kathreinusa.com)

# Mounting Instruction

## Offset Pattern Gain Antenna

### K 55 31 31

