

# Directional Antenna

## 118 – 144 MHz

### K531831

**KATHREIN**

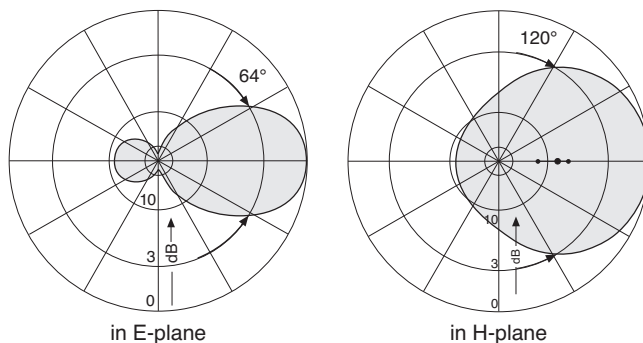
#### 3-element broadband-yagi, 4dB gain, hot-dip galvanized steel

Type No.	<b>K531831</b>
Input	N female connector in a weather protective housing directly at the antenna
Frequency range	118 – 144 MHz
VSWR	< 1.5
Gain (ref. $\lambda/2$ dipole)	4 dB
Impedance	50 $\Omega$
Polarization	Usable for horizontal or vertical polarization
Max. Power	160 W (at 50 °C ambient temperature)
Weight	10 kg
Windload	250 N (at 160 km/h)
Max. wind velocity	200 km/h (incl. 1/2" radial ice)
Packing size	1500 x 1150 x 90 mm
Antenna height	1360 mm

- Material: Hot-dip galvanized steel.  
All screws and nuts: Stainless steel.
- Mounting: To pipes of 60 – 115 mm OD by means of hot-dip galvanized steel clamp, supplied.
- Grounding: The antenna is DC grounded by a cross section of 256 mm<sup>2</sup> hot-dip galvanized steel.
- Scope of supply: Antenna including mounting hardware.



#### Radiation Pattern (at mid-band)



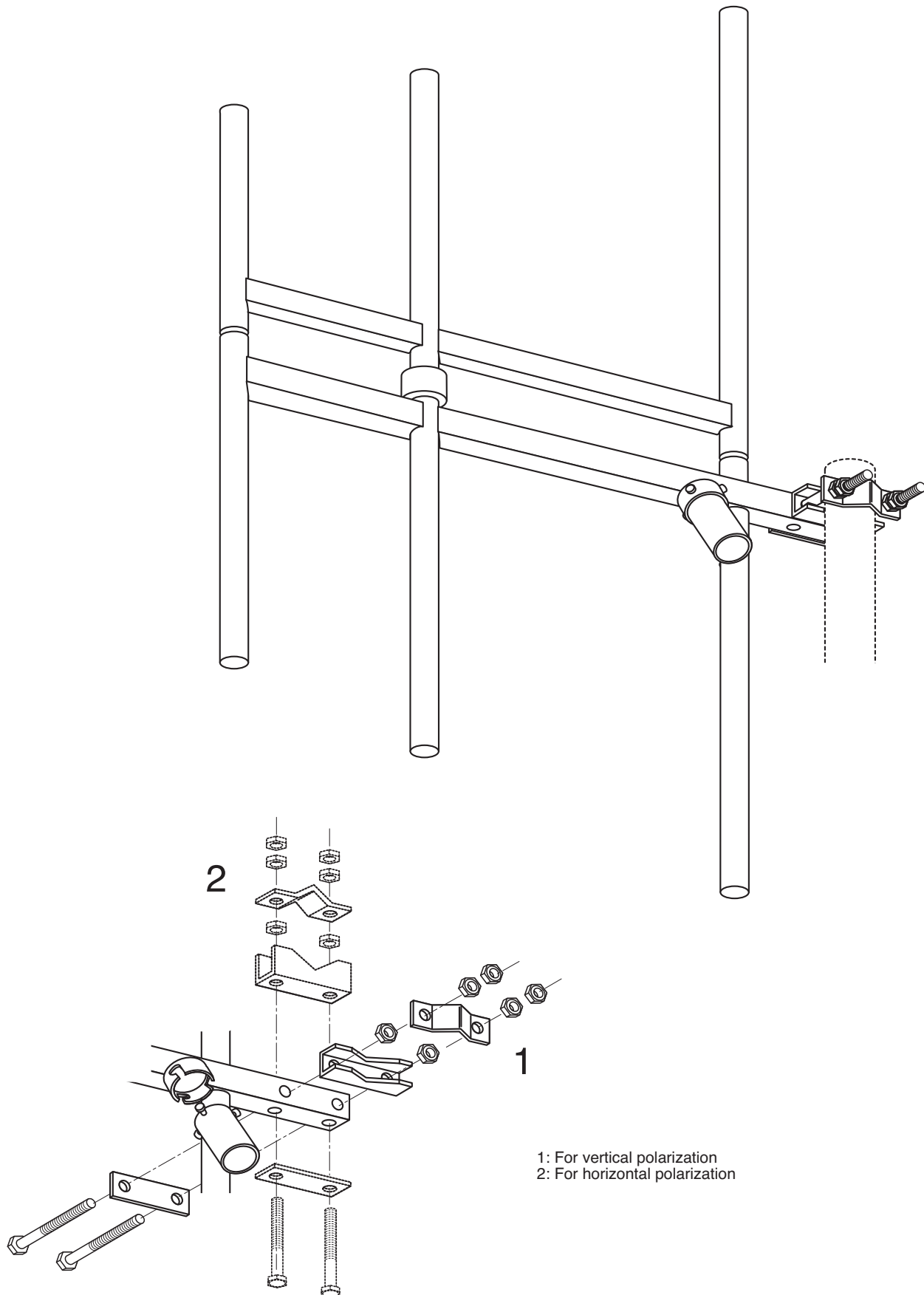
936.4911 Subject to alteration.

All specifications are subject to change without notice.  
The latest specifications are available at [www.kathreinusa.com](http://www.kathreinusa.com)

**K531831** Page 1 of 2

# Mounting Instruction Directional Antenna K531831

**KATHREIN**



936.4911 Subject to alteration.