

# Directional Antenna

## 108 – 137 MHz

### K523131

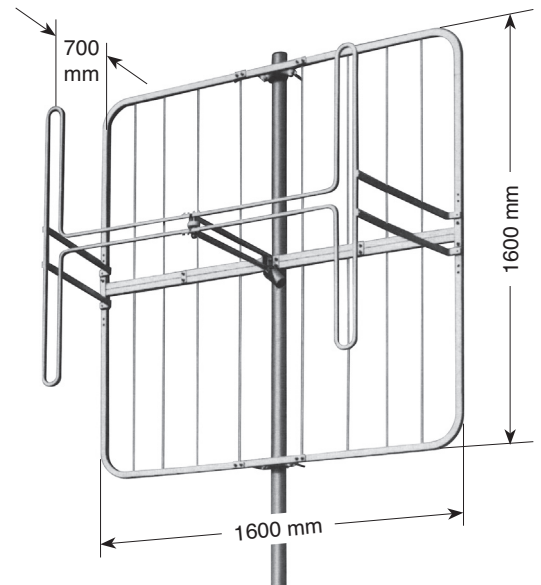
**KATHREIN**

**Broadband 7 dB directional antenna, weatherresistant aluminum.**

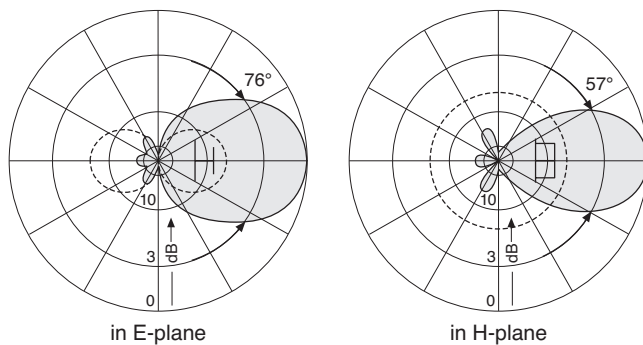
Type No.	<b>K523131</b> 600253
Input	N female connector in a weather protective housing
Frequency range	108 – 137 MHz
VSWR	< 1.4
Gain (ref. to $\lambda/2$ dipole)	7 dB
Impedance	50 $\Omega$
Polarization	Vertical or horizontal
Half-power beam width	H-plane: 57°/ E-plane: 76°
Max. power input (CW)	1550 W (at 35 °C ambient temperature) 880 W (at 50 °C ambient temperature)
Weight	12 kg
Lateral thrust	560 N at 160 km/h
Max. wind velocity w/o ice 1/2" radial ice	200 km/h 120 km/h
Width/height/depth	1600 / 1600 / 700 mm
Packing size	1620 x 850 x 200 mm



- Material:** Reflector screen and dipoles: Heavy duty alodined aluminum.  
Mounting clamps: Hot dip galvanized steel.  
All screws and nuts: Stainless steel.
- Scope of supply:** Antenna including mounting hardware.
- Mounting:** To masts of 60 – 115 mm OD.
- Lightning protection:** All metal parts of the antenna are DC grounded.



**Radiation Pattern (at mid-band)**



936.1057/a Subject to alteration.

All specifications are subject to change without notice.  
The latest specifications are available at [www.kathreinusa.com](http://www.kathreinusa.com)

**K523131** Page 1 of 2

# Mounting Instruction Directional Antenna K523131

**KATHREIN**

