

Directional Antenna

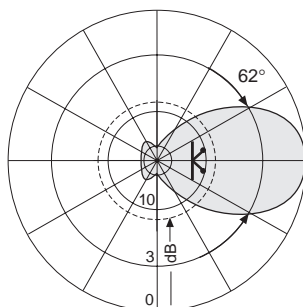
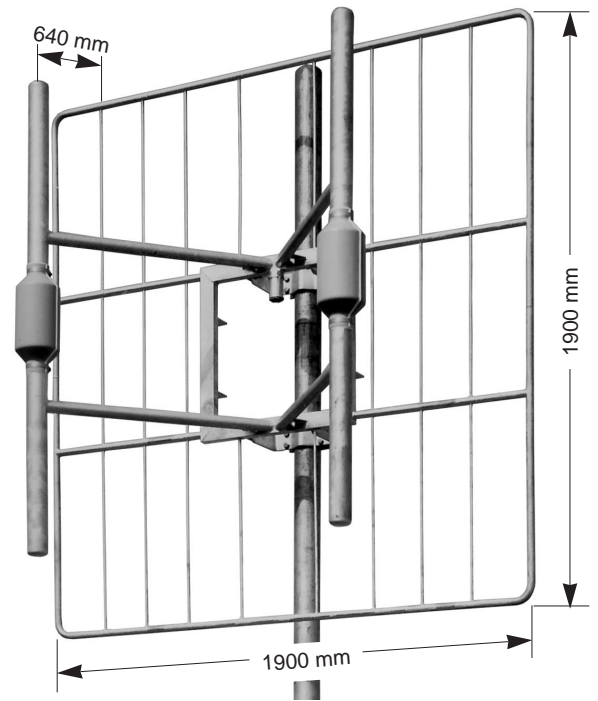
100 – 160 MHz

K 52 30 31

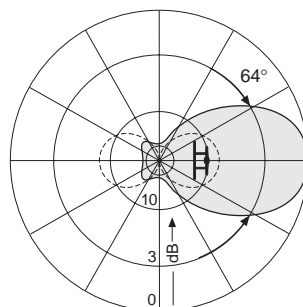
A heavy duty 8 dB gain panel of hot dip galvanized steel for use under heavy icing

Type No.	K 52 30 31
Input	N female connector in a weather protective housing directly at the antenna
Frequency range	100 – 160 MHz
VSWR	< 1.3
Gain (ref. $\lambda/2$ dipole)	8 dB
Impedance	50 Ω
Polarization	Horizontal or vertical
Max. Power	1590 Watt (at 50 °C ambient temperature)
Weight	35 kg
Windload	1200 N (at 160 km/h)
Max. wind velocity	200 km/h (incl. $1/2''$ radial ice)
Packing size	2000 x 2000 x 850 mm
Height/width/depth	1900 x 1900 x 640 mm

- Material:** Hot dip galvanized steel.
All screws and nuts: Stainless steel.
- Montage:** By means of a pair of hot dip galvanized steel clamps K 61 12 0 to pipes of 60 – 115 mm OD or the pair of clamps K 61 13 0 to pipes of 115 – 200 mm.
- Grounding:** All metal parts of the antenna including the mounting kit are DC grounded.
- Scope of supply:** Panel without mounting hardware.
- Special features:** The fiberglass cover of the radiators keeps the electrical characteristics, even under heavy icing conditions, nearly constant.



Horizontal Pattern



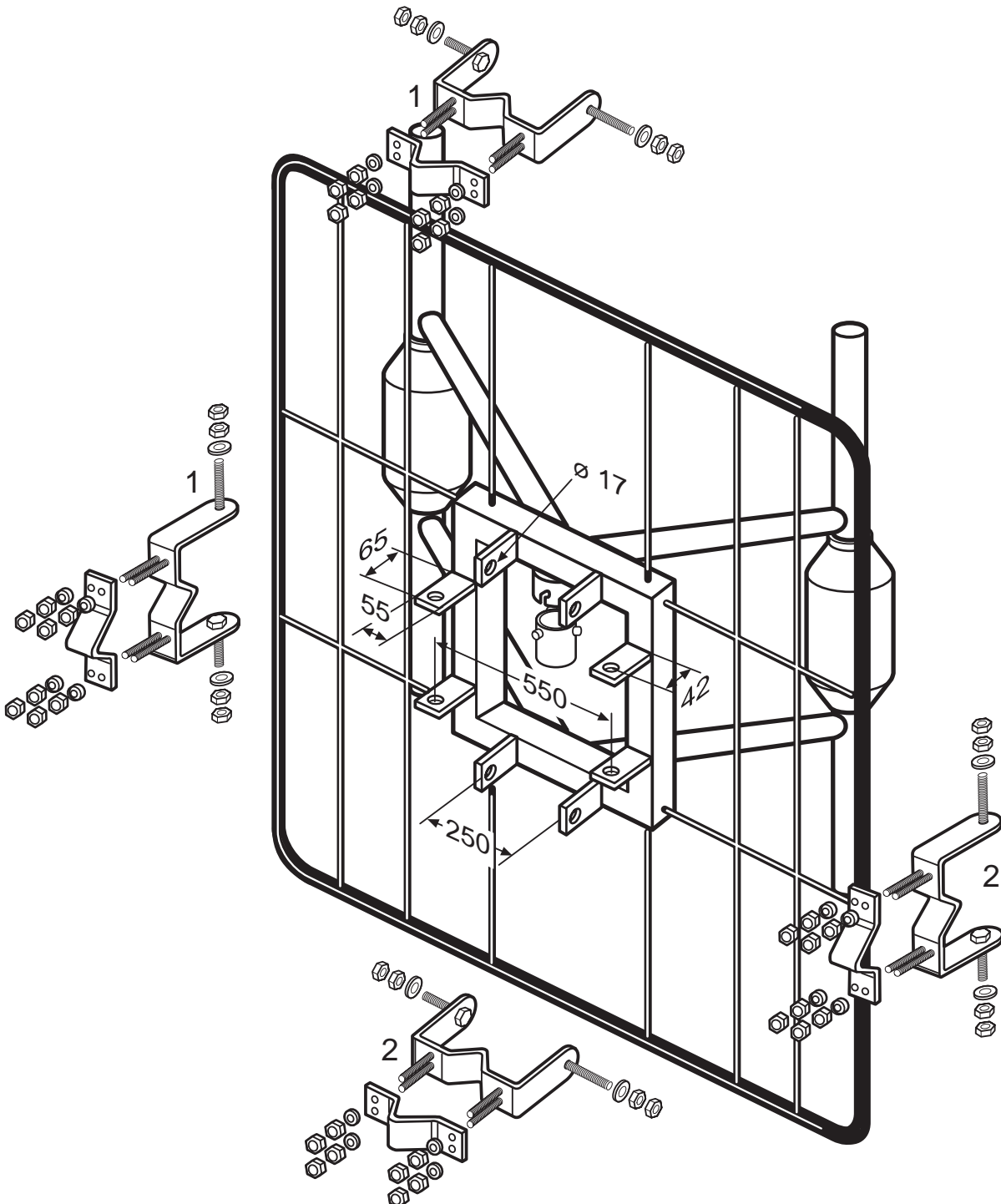
Vertical Pattern

All specifications are subject to change without notice.
The latest specifications are available at www.kathreinusa.com

Mounting Instruction

Directional Antenna

K 52 30 31



1, 2: Pair of clamps K 61 12 0 for pipes of 60 – 115 mm OD or pair of clamps K 61 13 0 for pipes of 115 – 200 mm OD

Required metric wrenches: 19 mm and 24 mm

All specifications are subject to change without notice.
The latest specifications are available at www.kathreinusa.com