

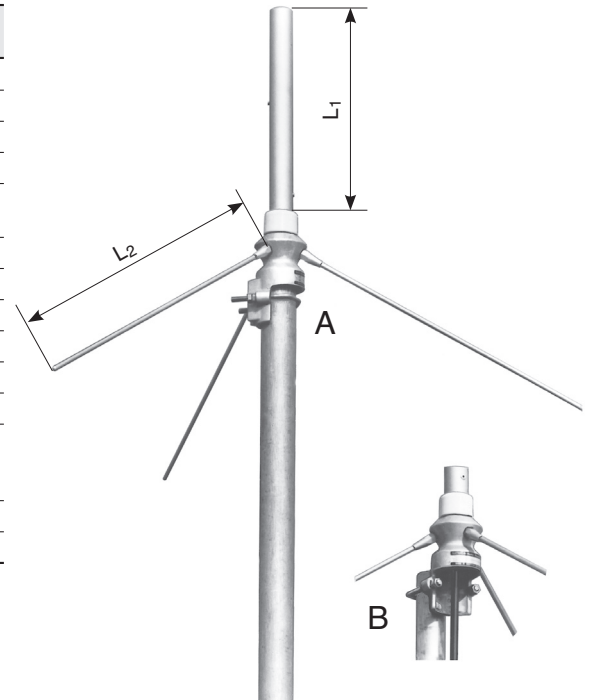
Omnidirectional Antenna

116 – 152 MHz

K512631

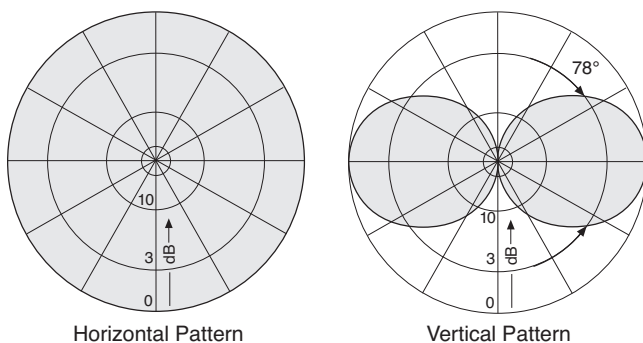
Broadband aluminum groundplane-antenna with stainless steel radials

Type No.	K512631
Input	N female connector in the antenna base
Connector position	Bottom
Frequency range	116 – 152 MHz
Bandwidth	36 MHz
VSWR	< 1.6 (118 – 144 MHz) < 2.0 (116 – 152 MHz)
Gain	0 dB (ref. to the half wave dipole)
Impedance	50 Ω
Polarization	Vertical
Max. power	60 W (at 50 °C ambient temperature)
Weight	1.5 kg
Wind load	50 N (at 160 km/h)
Max. wind velocity	
w/o ice	200 km/h
1/2" radial ice	135 km/h
Packing size	100 x 85 x 720 mm
Height	L ₁ : 430 mm, L ₂ : 700 mm



- Material:** Radiator: Heavy duty alodined aluminum.
Radials: Stainless steel 8 mm diameter.
Base: High strength cast aluminum.
All screws and nuts: Stainless steel.
- Mounting:** The antenna can be mounting by means of a supplied stainless steel clamp in such a manner as to permit the cable to be run either inside a 40 – 54 mm pipe (Fig. A) or outside a 20 – 54 mm pipe (Fig. B).
- Grounding:** The antenna is DC grounded by a cross section of 120 mm² aluminum.
- Scopy of supply:** Antenna including mounting hardware.

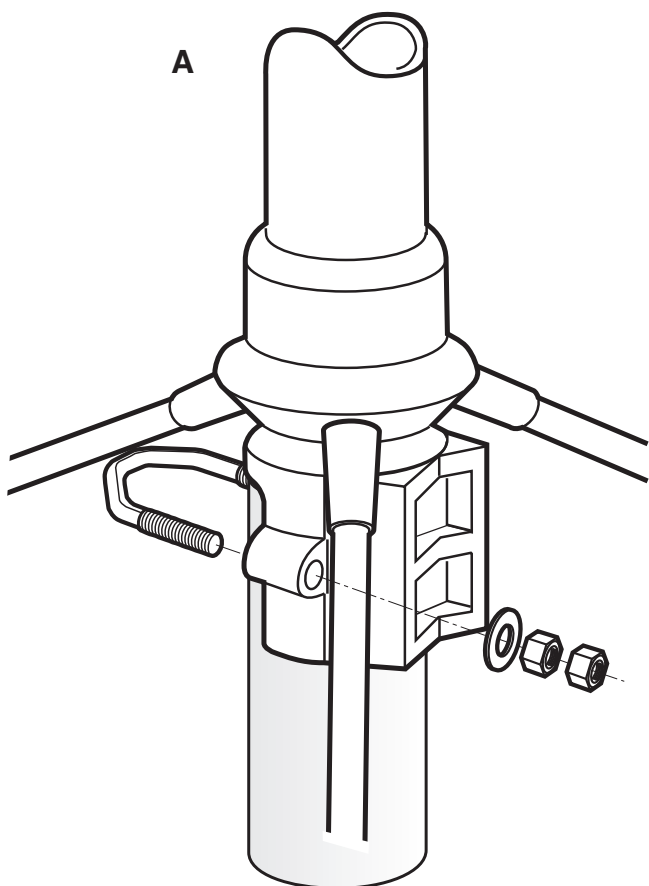
Radiation Pattern (at mid-band)



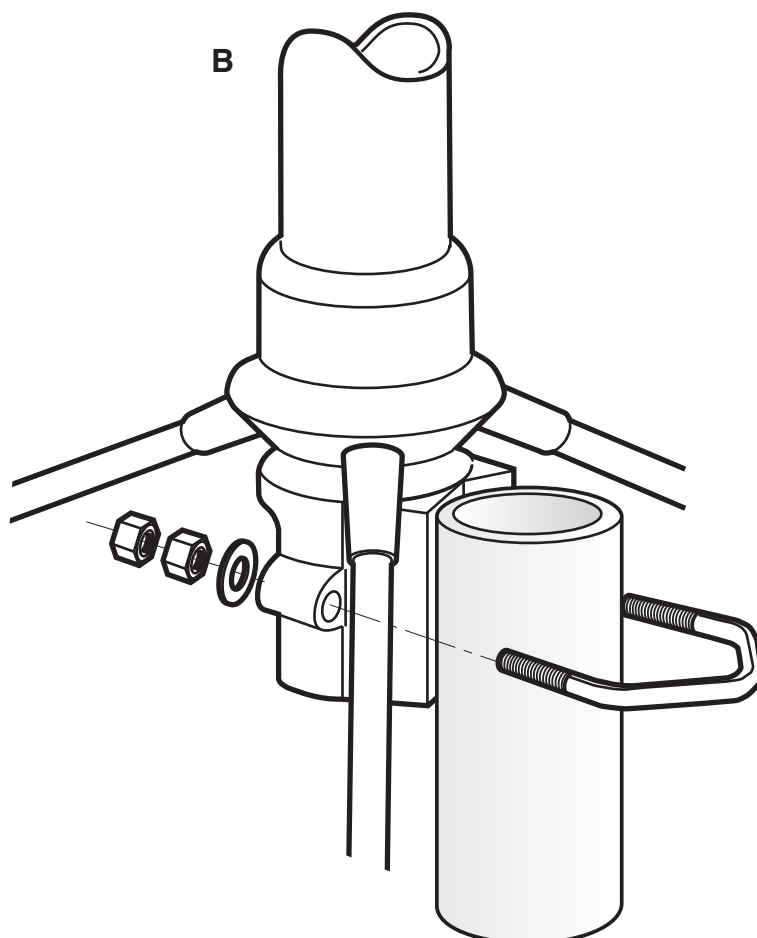
936.4174 Subject to alteration.

Mounting Instruction Omnidirectional Antenna K512631

KATHREIN
Antennen · Electronic



A: for pipes of 40 – 54 mm Ø
B: for pipes of 20 – 54 mm Ø



Side mounting on a mast

Brackets for pipes of 55 to 105 mm OD are available for this mounting mode:

Distance between pipe and antenna	500 mm	1000 mm
Model No.	K61333	K61334

With this mounting mode the standing wave ratio (VSWR) will be altered somewhat as a factor of clearance and mast diameter.

936.4174 Subject to alteration.