

HP9-915

Horizontally polarized panel antenna

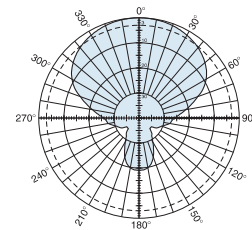
The KUSA HP9-915 panel antenna offers a high performance and low VSWR solution for systems requiring horizontal polarization to solve co-channel and adjacent channel problems. This panel is useful for RF identification systems and telemetry in the 902–928 MHz ISM band. Arrays of this panel may also be used to create special patterns for systems requiring broader or narrower horizontal patterns than a single antenna provides.

- Fabricated from corrosion resistant aluminum and stainless steel, and all metal components are DC grounded.
- Fiberglass radome assures reliable performance in heavy icing conditions.

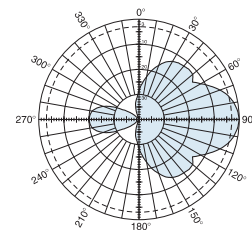


Specifications	
Frequency range	902–928 MHz
Gain	11.5 dBi
Impedance	50 ohms
VSWR	<1.25:1
Polarization	Horizontal
Front-to-back ratio	>19 dB
Maximum input power	100 watts (at 50°C)
H-plane beamwidth	28 degrees (half-power)
E-plane beamwidth	76 degrees (half-power)
Connector	N female
Weight	11.5 lb (5.2 kg)
Dimensions	29 x 10.5 x 7 inches (737 x 267 x 178 mm)
Equivalent flat plate area	2.54 ft ² (0.236 m ²)
Wind survival rating*	120 mph (193 kph)
Shipping dimensions	30 x 11 x 9 inches (762 x 279 x 229 mm)
Shipping weight	14.25 lb (6.5 kg)
Mounting	For masts of 2.375 inches (60 mm) OD.

*Mechanical design is based on environmental conditions as stipulated in TIA-222-G-2 (December 2009) and/or ETS 300 019-1-4 which include the static mechanical load imposed on an antenna by wind at maximum velocity. See the Engineering Section of the catalog for further details.



E-plane
Horizontal pattern — H-polarization

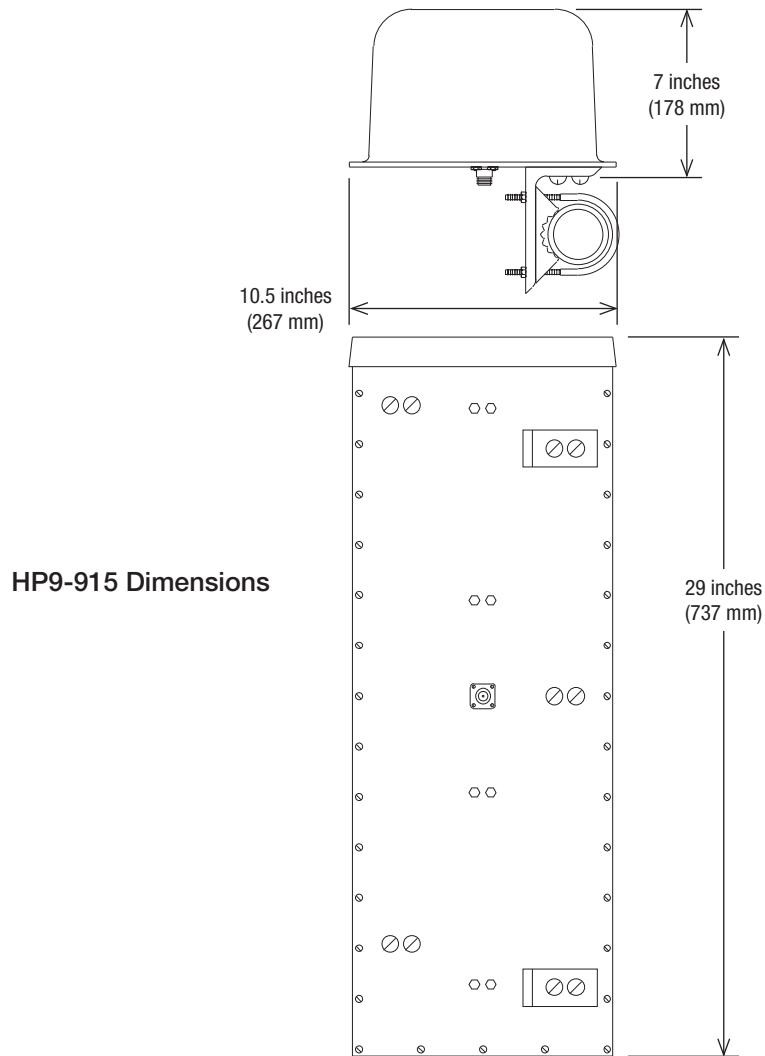


H-plane
Vertical pattern — H-polarization

10188d subject to alteration



All specifications are subject to change without notice.
The latest specifications are available at www.kathreinusa.com



Order Information

Model	Description
HP9-915N	Antenna with N connector

10188d subject to alteration