

CL-900B LOG-PERIODIC ANTENNA

KATHREIN

The KUSA CL-900B broadband log-periodic antenna is intended for use in professional fixed-station applications.

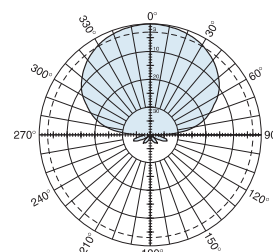
- The radiating system is protected by a rugged fiberglass radome to assure reliable and stable operation in heavy icing conditions.
- High front-to-back ratio and absence of sidelobes can help to minimize co-channel and adjacent channel interference problems at sites with congested spectrum.
- Superior electrical specifications including low VSWR, wide bandwidth, flat frequency response and superb intermodulation performance.



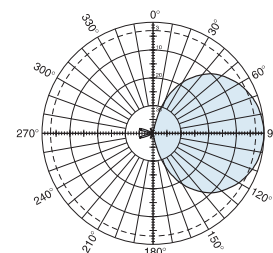
(Shown vertically polarized)

Specifications	
Frequency range	806–960 MHz
Gain	10 dBi
Impedance	50 ohms
VSWR	<1.5:1
Polarization	Horizontal or vertical
Front-to-back ratio	>35 dB
Maximum input power	500 watts, (at 50°C)
H-plane beamwidth	64 degrees (half-power)
E-plane beamwidth	49 degrees (half-power)
Connector	N female
Weight	22 lb (10 kg)
Dimensions	29 x 17 x 12 inches (737 x 432 x 305 mm)
Wind load at 93 mph (150 kph)	
Side / Top / Rear	63 lbf / 16 lbf / 37 lbf (280 N) / (71 N) / (165 N)
Wind survival rating*	120 mph (193 kph)
Shipping dimensions	31 x 20 x 14.5 inches (787 x 508 x 368 mm)
Shipping weight	28.0 lb (12.7 kg)
Mounting	Mounting kits available for masts of 2.375 to 4.5 inch (60 to 114 mm) OD.

* Mechanical design is based on environmental conditions as stipulated in TIA-222-G-2 (December 2009) and/or ETS 300 019-1-4 which include the static mechanical load imposed on an antenna by wind at maximum velocity. See the Engineering Section of the catalog for further details.



H-plane
Horizontal pattern — V-polarization
Vertical pattern — H-polarization



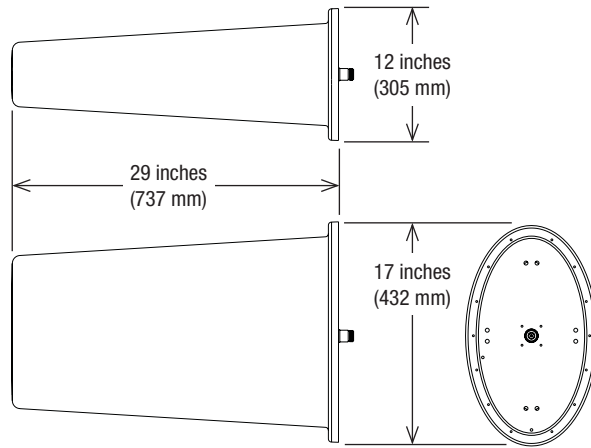
E-plane
Horizontal pattern — H-polarization
Vertical pattern — V-polarization

100421 subject to alteration



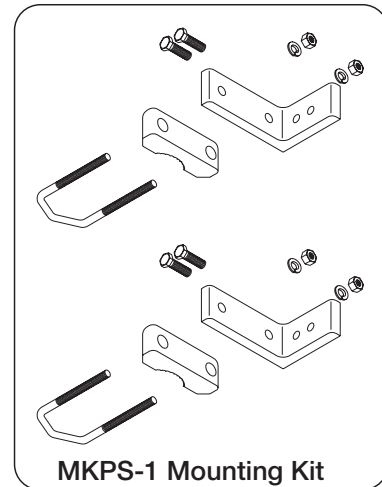
All specifications are subject to change without notice.
The latest specifications are available at www.kathreinusa.com

CL-900B Page 1 of 2



Mounting options

Model	Description
MKPS-1 (shown)	Mounting kit for 2.375 inch (60 mm) OD mast
MKPS-2	Mounting kit for 2.875 inch (73 mm) OD mast
MKPS-3	Mounting kit for 3.5 inch (89 mm) OD mast
MKPS-4	Mounting kit for 4 inch (102 mm) OD mast
MKPS-5	Mounting kit for 4.5 inch (114 mm) OD mast



100421 subject to alteration