

VPol Omnidirectional Antenna 1087–1093

Vertical Polarization

The antenna consists of a number of identical, decoupled half-wave dipoles, phase-feeding cables and transformer. Each dipole is mounted onto a central supporting brass tube. The horizontal pattern is obtained by the circular characteristic of the single dipole, the vertical pattern varying phase and distance of the single dipoles. All metal parts are DC grounded and, therefore, widely immune to damage from lightning. Two antenna monitor probes are located inside the fiberglass tube. All feedlines and monitor cables descend inside the supporting brass tube.

VPol Omni 1087–1093 360° 11.5dBi

Type No.	88010002
Frequency range	1087 – 1093 MHz
VSWR	< 1.8 (antenna input)
Gain	11.5 ±0.5 dBi
Impedance	50 Ω
Horizontal pattern	Omnidirectional: Deviation from omni better ±1.5 dB
Vertical pattern uptilt	2 ±0.5°
Coupling attenuation	25 ±3 dB (antenna/monitor probes)
R. F. peak power	1 kW, modulated as per ICAO recommendation
Polarization	Vertical
Temperature range	–55 to +70 °C ambient

Material: Dipoles, decoupling elements, supporting tube and transformer: High quality brass.
Base: Weather-resistant aluminum.
Radome: Fiberglass, colour: Grey.
All screws and nuts: Stainless steel.

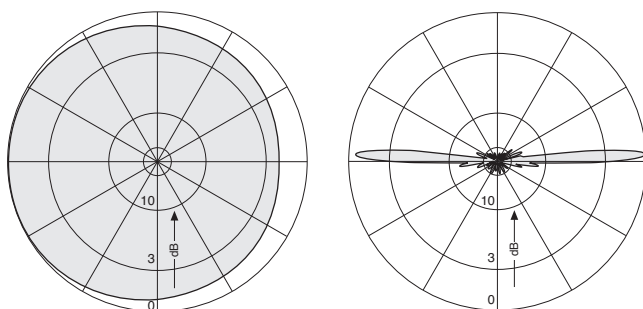
Mounting: To pipes of 60 – 62 mm OD by means of mounting clamps, supplied.

Grounding: The antenna is DC grounded by a cross section of 98 mm² brass.



936.3579/a Subject to alteration.

Radiation Pattern (at mid-band)



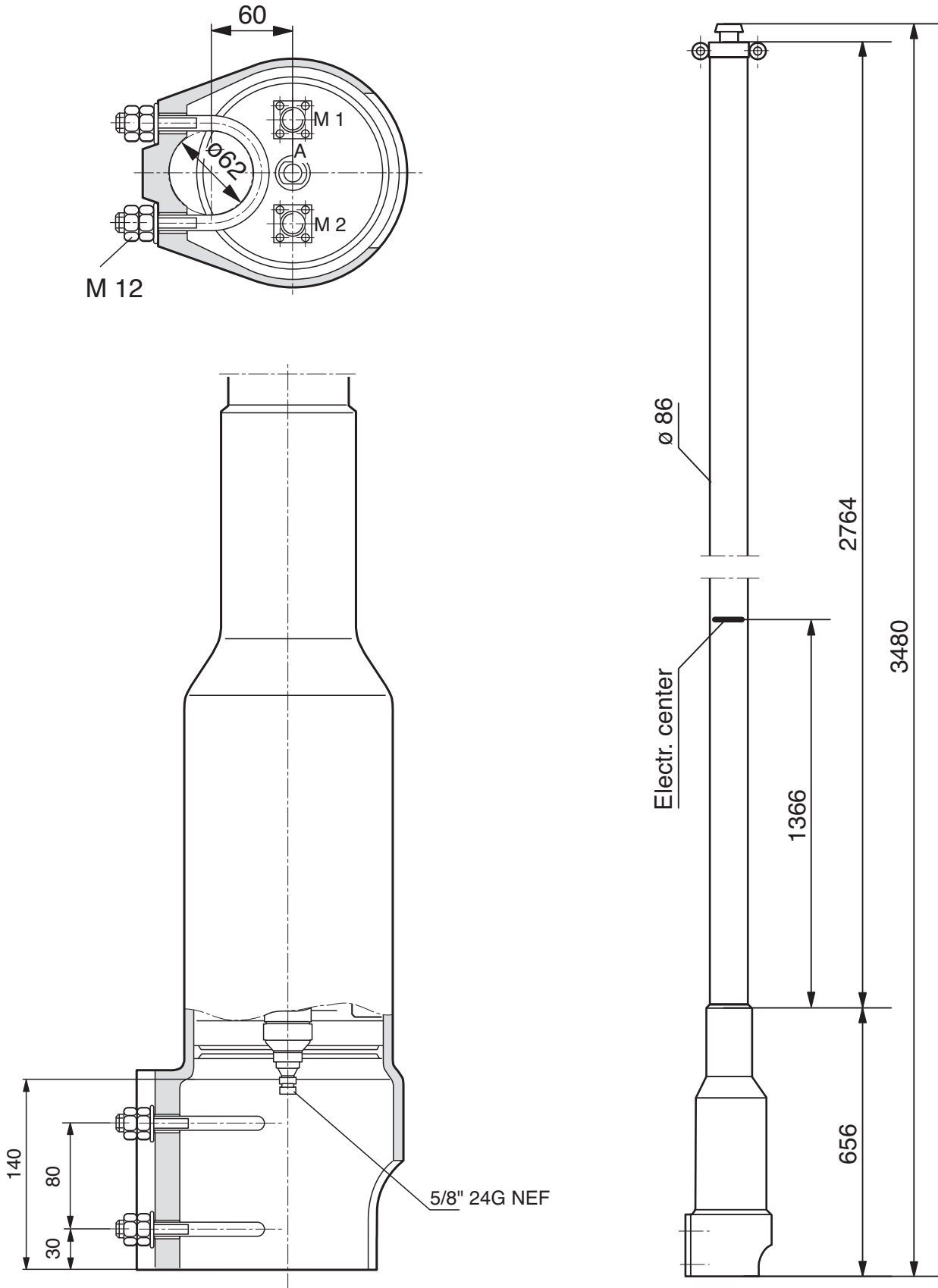
Mechanical specifications	
Input	N female
Connector position	Bottom
Wind load	380 N (at 150 km/h with 12 mm radial ice)
Max. wind velocity	200 km/h
Weight	26 kg
Radome diameter	86 mm
Height	3480 mm
Packing size	3580 x 280 x 300 mm

All specifications are subject to change without notice.
The latest specifications are available at www.kathreinusa.com

Mounting Instruction

VPol Omnidirectional Antenna

88010002



936.3579/a Subject to alteration.