

Marker Beacon Antenna

Polarization

Half-power Beam Width

74 – 76
H/V
125°

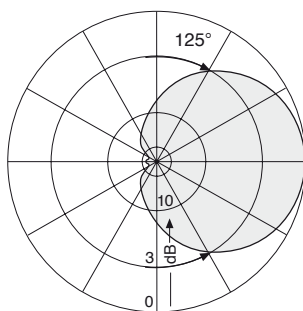
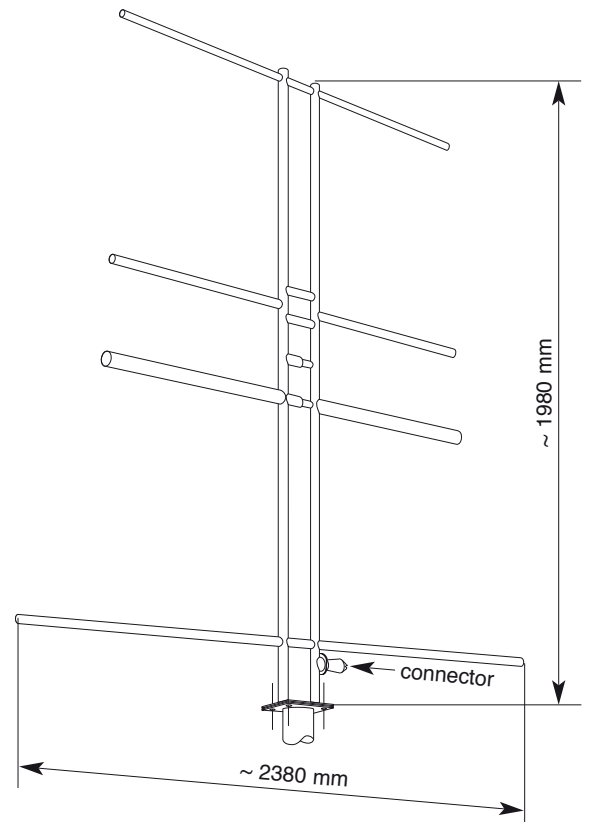
4-unit Yagi

Type No.	800 10228
Frequency range	74 – 76 MHz
Polarization	Horizontal / vertical
Gain	7 dBi
Half-power beam width	H-plane: 125° E-plane: 65°
Impedance	50 Ω
VSWR	< 1.4
Max. power	15 W

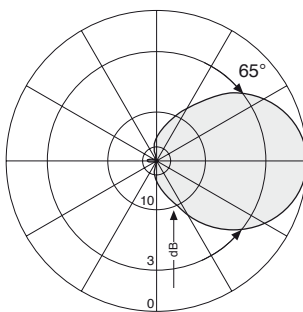
Material: Hot-dip galvanized steel.

Mounting: Mast: Using the supplied flange 120 x 140 mm.
Walls: Using the mounting kit 711 978.

Grounding: All metal parts of the antenna including the delivered mounting kit are DC grounded.

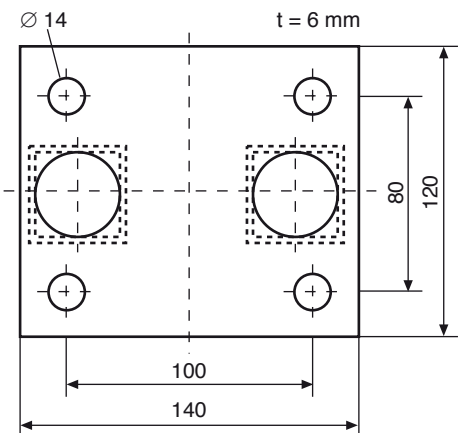


Horizontal Pattern



Vertical Pattern

Supplied flange: All dimensions in mm



Mechanical specifications	
Input	N female
Connector position	see sketch
Weight	22 kg
Wind load	520 N (at 150 km/h)
Max. wind velocity	180 km/h
Packing size	2424 x 2118 x 182 mm
Height/width/depth	1980 / 2380 mm

936.2386/a Subject to alteration.