

Omnidirectional Antenna

225 – 400 MHz

K 75 40 1. .

- Multi-element antenna, consisting of several separately fed dipoles arranged in line.
- Special models of gain antennas with an integrated power splitter.

Standard models: Multiple-unit antenna

Type No.	K 75 40 12 1	K 75 40 13 1	K 75 40 14 1	K 75 40 15 1
Gain (ref. to the $\lambda/2$ dipole)	2 x 1 dB	3 x 1 dB	4 x 1 dB	5 x 1 dB

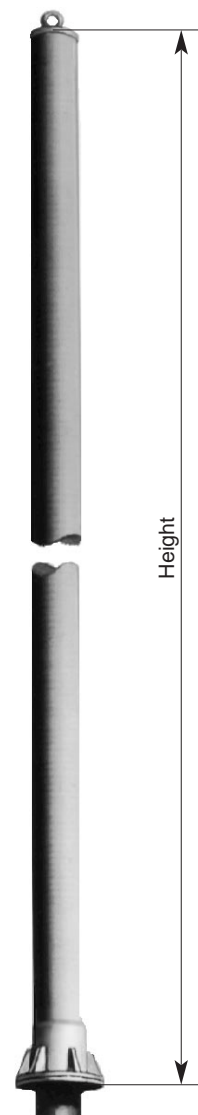
Special models I: Omni-directional gain antenna

Type No.	723 141	725 626	725 772	723 517
Gain (ref. to the $\lambda/2$ dipole)	3 dB	4.5 dB	6 dB	7 dB

Special models II: Multiple unit omni-directional gain antenna

Type No.			723 142	
Gain (ref. to the $\lambda/2$ dipole)			2 x 3 dB	

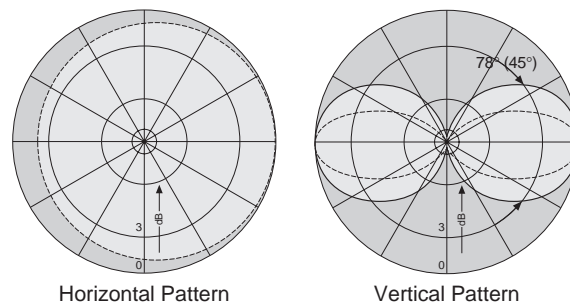
Length	2650 mm	3690 mm	4730 mm	5770 mm
Weight	29 kg	37 kg	49 kg	67 kg
Wind load	430 N	590 N	760 N	940 N
Bending moment	560 Nm	1070 Nm	1780 Nm	2690 Nm
		at 160 km/h at 160 km/h (at attachment point)		
Radome diameter		188 mm		
Max. wind velocity		200 km/h		
Frequency range		225 – 400 MHz		
Bandwidth		175 MHz		
Input	Type N female connectors in the antenna base			
VSWR		< 2.0		
Attenuation		> 27 dB between adjacent dipoles		
Max. input power (CW)		110 Watt (at 50 °C ambient temperature)		
Polarization		Vertical		



936.1651/b Subject to alteration.

Material:	Radiating elements: Hot dip galvanized steel. Base: Weatherproof aluminum. Radome: Fiberglass, colour: Brown. Internal screws and nuts: Stainless steel.
Mounting:	Flange 320 mm OD for mounting on a flanged supporting pipe.
Scope of supply:	Antenna with neoprene O-ring at the flange, but without screws.
Grounding:	The antenna is DC grounded by a cross section of 214 mm ² hot dip galvanized steel.

For standard models



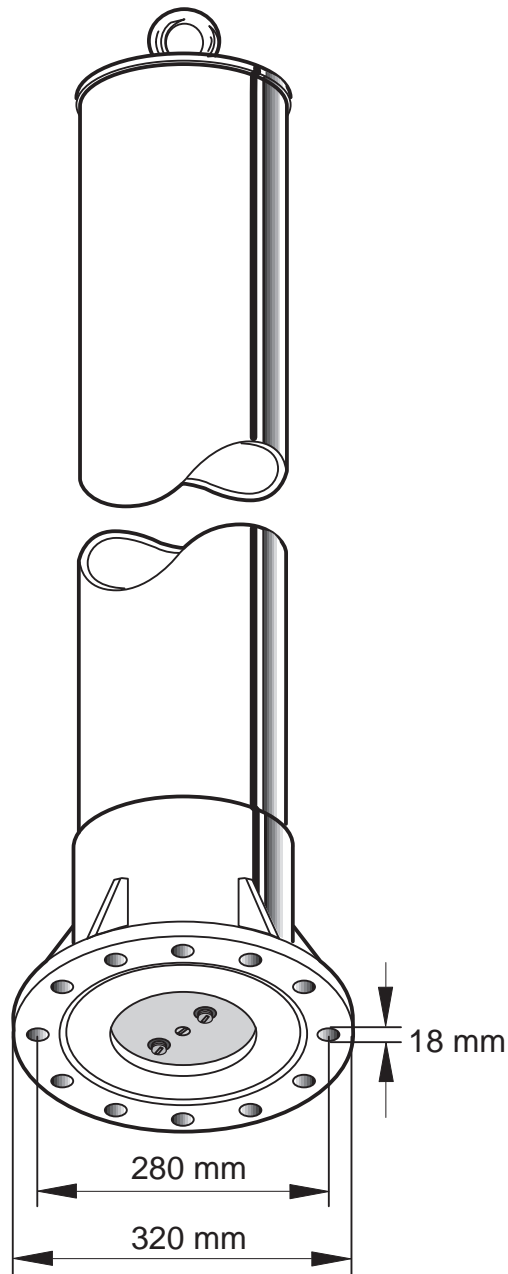
Radiation Pattern ——— 225 MHz 400 MHz

All specifications are subject to change without notice.
The latest specifications are available at www.kathreinusa.com

Omnidirectional Antenna
225 – 400 MHz
K 75 40 1..

KATHREIN
Antennen · Electronic

K 75 40 12 1



- Mount the aluminum flange on plane surface only (max. unevenness 0.5 mm)
- Put the O-ring carefully into the circular groove of the flange
- Mounting screws: M 16 stainless or hot dip galvanized steel
(min. strength 5.6 accord. DIN 267)
Max. torque: 50 Nm (screws should be greased with MoS₂)
- Put a stainless steel washer between aluminum flange and screw head or nut

All specifications are subject to change without notice.
The latest specifications are available at www.kathreinusa.com