

Multiple-Unit Antenna

118 – 137 MHz / 225 – 400 MHz

723 904

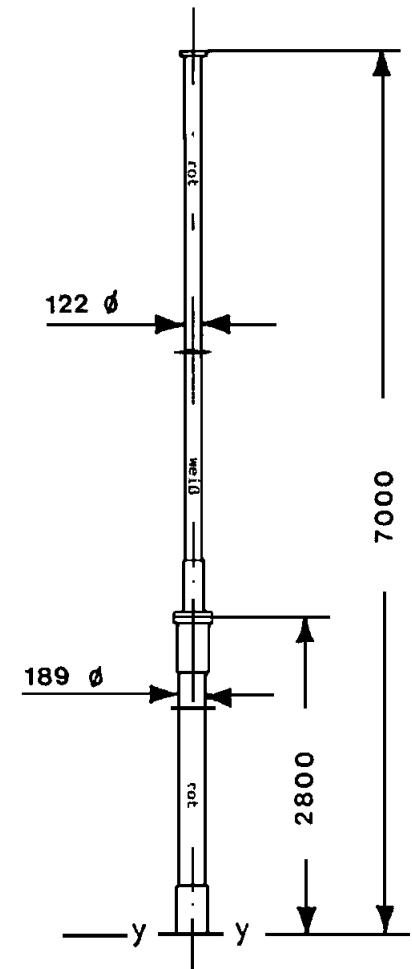
Multiple-antenna consisting of 2 VHF and 2 UHF omni-directional antennas

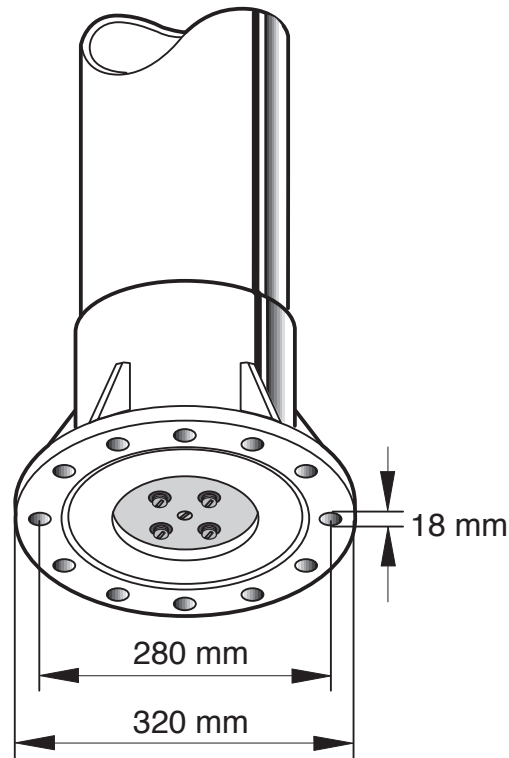
Type No.	723 904	
System	VHF	UHF
Input	2 x N female	2 x N female
Connector position	Bottom	Bottom
Frequency range	118 – 137 MHz	225 – 400 MHz
VSWR	< 1.8	< 2.0
Horizontal radiation pattern: Deviation from circularity Gain	< ±0.3 dB 0 dB (ref. to the half wave dipole)	< ±1 dB 1 dB
Impedance	50 Ω	50 Ω
Polarization	Vertical	Vertical
Max. power	100 W (at 50 °C ambient temperature)	100 W
Decoupling	UHF – UHF: > 25 dB VHF – VHF: > 25 dB UHF – VHF: > 20 dB	
Weight	80 kg	
Wind load	900 N (at 160 km/h)	
Max. wind velocity	200 km/h	
Bending moment (y–y)	2570 Nm (at 160 km/h) 3760 Nm (at 200 km/h)	
Height	Approx. 7000 mm	

Material: Hot dip galvanized steel in fiberglass radome.
Colour: Red/white/red.
All screws and nuts: Stainless steel.

Mounting: Flange 320 mm OD.

Grounding: The metal parts of the antenna are DC grounded.





- Mount the aluminum flange on plane surface only (max. unevenness 0.5 mm)
- Put the O-ring carefully into the circular groove of the flange
- Mounting screws: M16 stainless or hot dip galvanized steel
(min. strength 5.6 accord. DIN 267)
Max. torque: 50 Nm (screws should be greased with MoS₂)
- Put a stainless steel washer between aluminum flange and screw head or nut