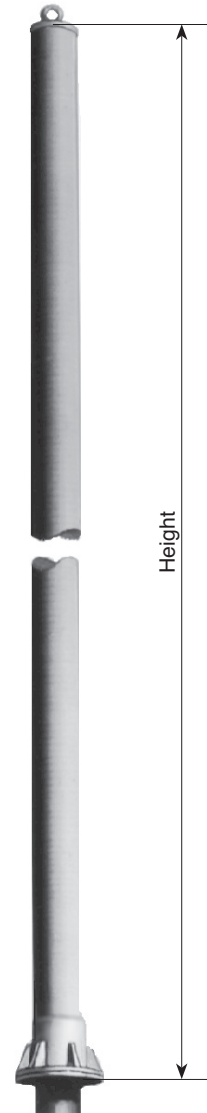


Omnidirectional Antenna – Multiple-unit 116 ... 152 MHz 717280, 717587, 719557

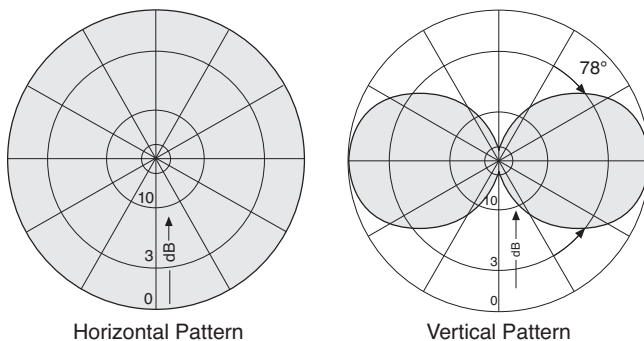
2 or 3-element antenna, consisting of several independently fed dipoles arranged in line

Type No.	717587	719557	717280
Input	N female connector inside of mounting flange		
No. of dipoles	2	2	3
Connector position	Bottom		
Frequency range	118 – 137 MHz	116 – 152 MHz	118 – 137 MHz
Bandwidth	19 MHz	36 MHz	19 MHz
VSWR	< 1.8	< 2.0	< 1.8
Gain	0.5 dB	0 dB	0.5 dB
	(ref. to the half wave dipole)		
Attenuation	> 27 dB	> 25 dB	
	between adjacent dipoles		
Horizontal radiation pattern	Deviation from circularity ± 0.3 dB for each dipole		
Impedance	50 Ω		
Polarization	Vertical		
Max. power	100 W (at 50 °C ambient temperature)		
Weight	33 kg	48 kg	54 kg
Radome diameter	120 mm	188 mm	120 mm
Wind load (at 160 km/h)	480 N	780 N	730 N
Max. wind velocity	200 km/h		
Height	4300 mm	4800 mm	6000 mm

- Material:** Radiator: Hot-dip galvanized steel.
Radome: Fiberglass, colour: Brown (RAL 1019).
Flange: Aluminum (OD 320 mm).
Hot-dip galvanized steel (OD 265 mm).
All screws and nuts: Stainless steel.
- Mounting:** Flange 320 mm OD (719557).
Flange 265 mm OD (717280, 717 587).
- Grounding:** The antenna is DC grounded by a cross section of 214 mm² (719557) and 110 mm² (717280, 717587) hot-dip galvanized steel.
- Scope of supply:** Antenna with neoprene O-ring at the flange, but without mounting hardware.



Radiation Pattern (at mid-band)



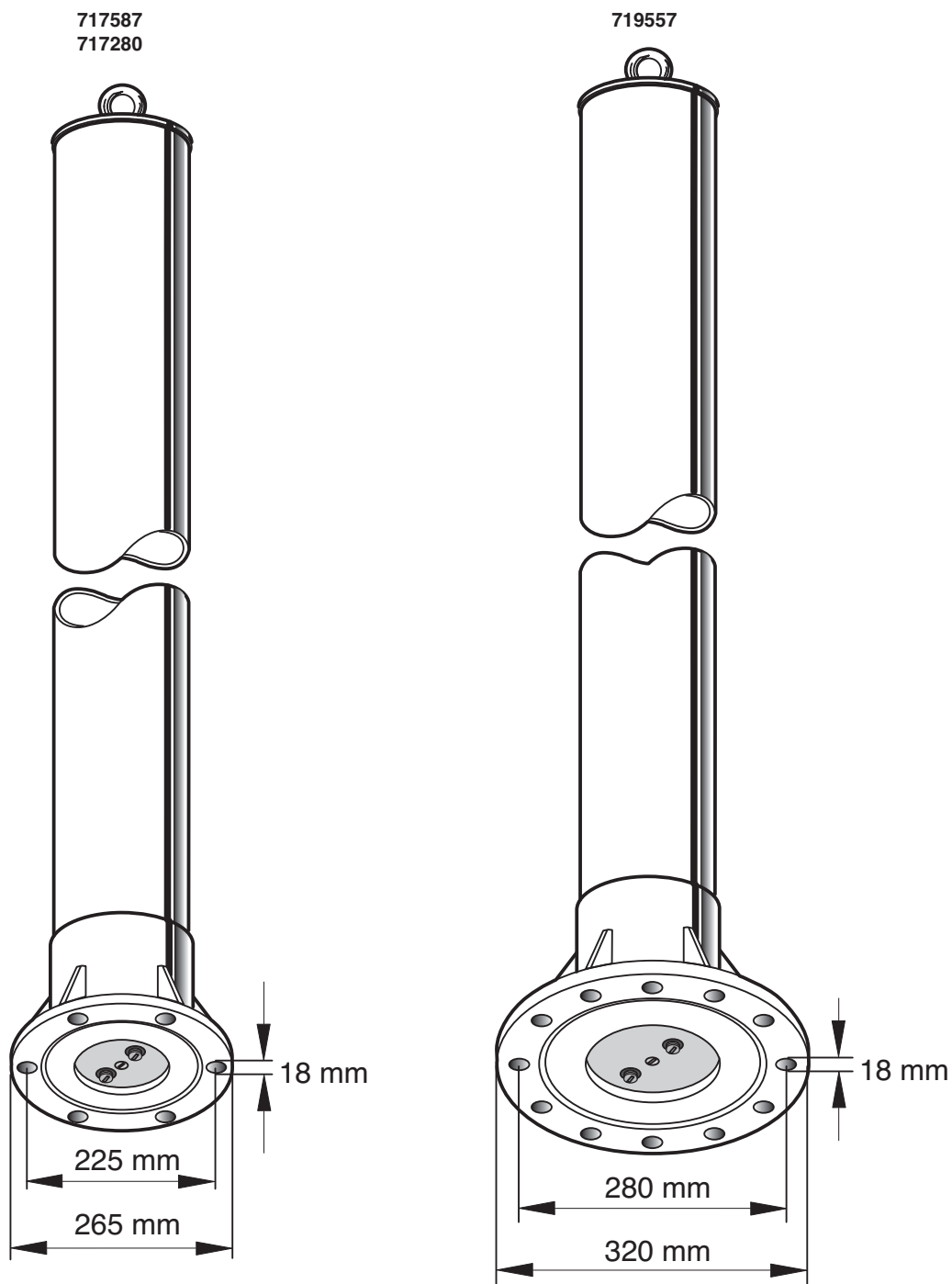
936.1649/a Subject to alteration.

Mounting Instruction

Omnidirectional Antenna

717280, 717587, 719557

KATHREIN
Antennen · Electronic



- Mount only on a plane surface with max. unevenness 0.5 mm
- Put the O-ring carefully into the circular groove of the flange
- Mounting screws: M 16 stainless or hot dip galvanized steel
(min. strength 5.6 accord. DIN 267)
Max. torque: 50 Nm (screws should be greased with MoS2)
- Put a stainless steel washer between aluminum flange and screw head or nut