

Omnidirectional Gain Antenna

116 ... 152 MHz

717 265, 717 266, 719 543

Omnidirectional gain antenna in a fiberglass-tube

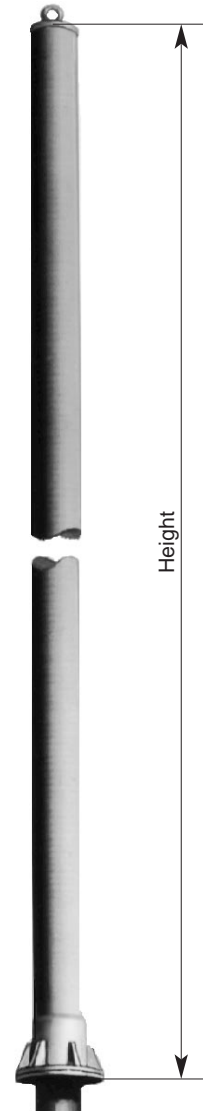
Type No.	719 543	717 265	717 266
Input	N female connector inside of mounting flange		
Connector position	Bottom		
Frequency range	116 – 152 MHz	118 – 137 MHz	118 – 137 MHz
Bandwidth	36 MHz	19 MHz	19 MHz
VSWR	< 2.0	< 1.7	< 1.8
Gain	3.0 dB	3.5 dB	4.5 dB
	(ref. to the half wave dipole)		
Horizontal radiation pattern	± 0.3 dB Deviation from circularity		
Impedance	50 Ω		
Polarization	Vertical		
Max. power	200 Watt (at 50 °C ambient temperature)		
Weight	46 kg	33 kg	51 kg
Radome diameter	188 mm	120 mm	120 mm
Wind load	765 N	430 N	700 N
	(at 160 km/h)		
Max. wind velocity	200 km/h		
Height	4600 mm	4000 mm	6000 mm

Material:
Radiator: Hot dip galvanized steel.
Radome: Fiberglass, color: Brown (RAL 1019).
Flange: Aluminum (OD 320 mm).
Hot dip galvanized steel (OD 265 mm).
All screws and nuts: Stainless steel.

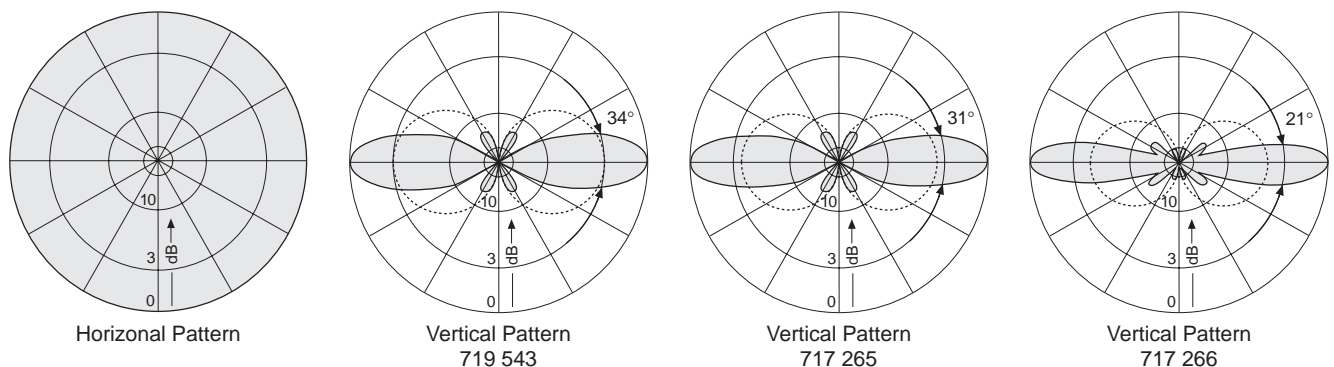
Mounting:
Flange 320 mm OD (719 543).
Flange 265 mm OD (717 265, 717 266).

Grounding:
The antenna is DC grounded by a cross section of 214 mm² (719 543) and 110 mm² (717 265, 717 266) hot dip galvanized steel.

Scope of supply:
Antenna with neoprene O-ring at the flange, but without mounting hardware.



Radiation Pattern (at mid-band)



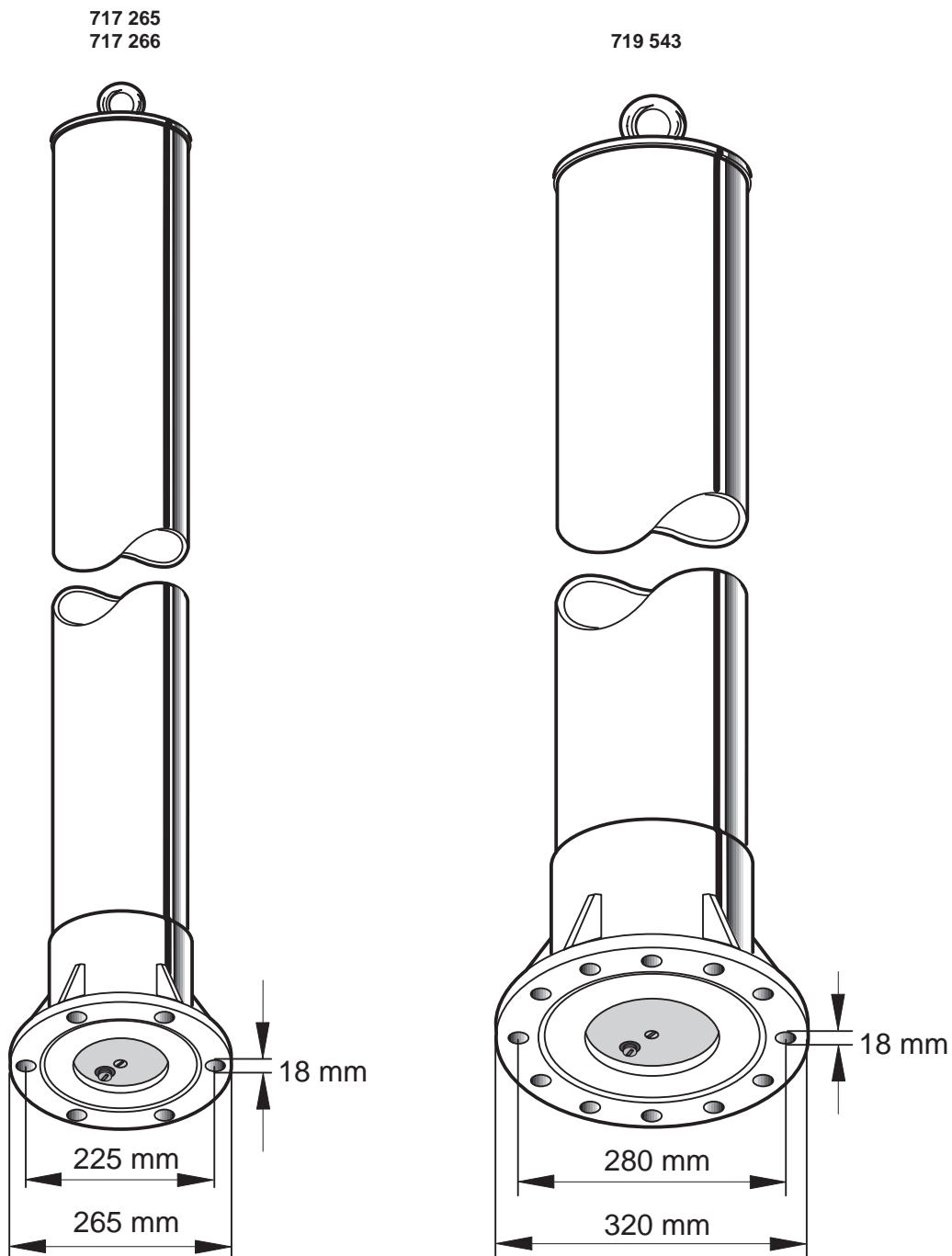
936.1851 Subject to alteration.

All specifications are subject to change without notice.
The latest specifications are available at www.kathreinusa.com

Mounting Instruction

Omnidirectional Gain Antenna

717 265, 717 266, 719 543



- Mount the aluminum flange on plane surface only (max. unevenness 0.5 mm)
- Put the O-ring carefully into the circular groove of the flange
- Mounting screws: M 16 stainless or hot dip galvanized steel
(min. strength 5.6 accord. DIN 267)
Max. torque: 50 Nm (screws should be greased with MoS₂)
- Put a stainless steel washer between aluminum flange and screw head or nut

All specifications are subject to change without notice.
The latest specifications are available at www.kathreinusa.com