

Monitor-Antenna

328 – 336 MHz

715 630

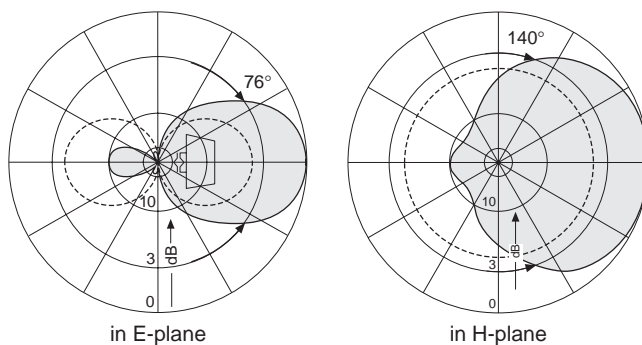
Half wave dipole in front of a reflector screen in a fiberglass radome

| Type No. | 715 630 |
|--------------------|---|
| Input | N female connector in a weather protective rubber cap directly at the antenna |
| Connector position | Rearside |
| Frequency range | 328 – 336 MHz |
| VSWR | < 1.3 |
| Gain | 4 dB (ref. to the half wave dipole) |
| Impedance | 50 Ω |
| Polarization | Horizontal |
| Max. power | 60 Watt (at 50 °C ambient temperature) |
| Weight | 4.3 kg |
| Wind load | 140 N (at 160 km/h) |
| Max. wind velocity | 200 km/h (incl. 1/2" radial ice) |
| Height/width/depth | 300 / 480 / 135 mm |



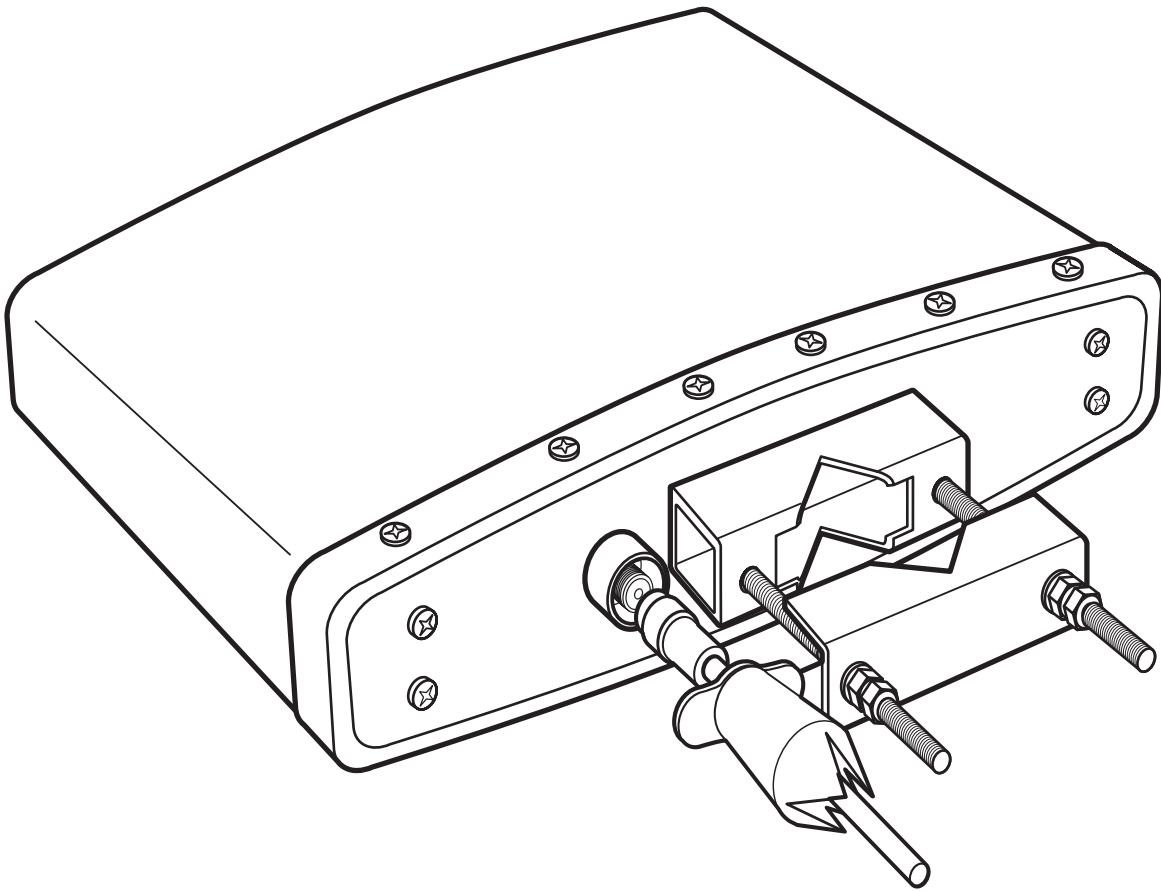
- Material:** Radiators: Heavy duty aluminum.
Reflector screen: High strength aluminum alloy sheet. Radome: Impact-resistant fiberglass.
Hot dip galvanized steel clamps.
All screws and nuts: Stainless steel.
- Ice protection:** The rugged, impact-resistant fiberglass radome keeps the electrical characteristics, even under heaviest icing, nearly constant.
- Mounting:** To pipes of 60 – 120 mm OD by means of hot dip galvanized steel clamp, supplied.
- Grounding:** The antenna is DC grounded by a cross section of 304 mm² aluminum.
- Scope of supply:** Antenna including mounting hardware.

Radiation Pattern (at mid-band)



All specifications are subject to change without notice.
The latest specifications are available at www.kathreinusa.com

Mounting Instruction
Monitor-Antenna
715 630



9985.592/0898/0.5/ZW/HA Subject to alteration.

All specifications are subject to change without notice.
The latest specifications are available at www.kathreinusa.com