

# Glide Path Antenna

## 328 – 335.5 MHz

### 713 316 B

#### RF monitor system integrated

Type No.	713 316 B
Input	Type N female connector
Frequency range	328 – 335.5 MHz
VSWR	< 1.1
Gain	12 dBd
Impedance	50 Ω
Polarization	Horizontal
Half-power beam width	H-plane: 80°/ E-plane: 25°
Max. power input (CW)	60 Watt (at 50 °C ambient temperature)
Max. current (DC)	1 A (between inner and outer conductor)
Weight	19 kg
Max. exp. area	1.0 m <sup>2</sup>
Lateral thrust	1450 N at 160 km/h
Max. wind velocity	200 km/h (incl. 1/2" radial ice)
Width/height/depth	2000 / 500 / 190 mm
Packing size	2100 x 510 x 260 mm

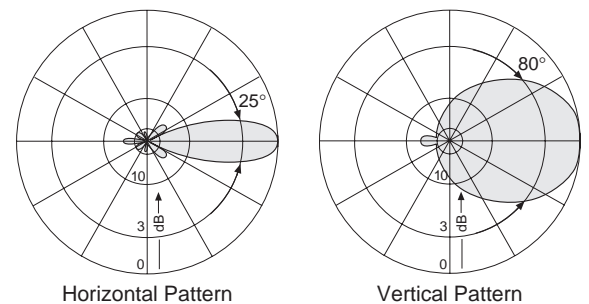


Material:	Dipole system: Cast aluminum. Reflector: Weatherproof aluminum. Radome: Fiberglass (white). All screws and nuts: Stainless steel.						
Scope of supply:	Antenna with two weather protective rubber caps for the connectors, but without mounting hardware.						
Mounting hardware:	<table> <thead> <tr> <th>Type No.</th> <th>Mast diameter</th> </tr> </thead> <tbody> <tr> <td>K 61 32 4</td> <td>60 – 115 mm</td> </tr> <tr> <td>K 61 32 41</td> <td>115 – 200 mm</td> </tr> </tbody> </table>	Type No.	Mast diameter	K 61 32 4	60 – 115 mm	K 61 32 41	115 – 200 mm
Type No.	Mast diameter						
K 61 32 4	60 – 115 mm						
K 61 32 41	115 – 200 mm						
Lightning protection:	The antenna is DC grounded including the inner conductors.						



RF monitor system	
Input	Type N female connector
Frequency range	328 – 335.5 MHz
VSWR	< 1.3
Coupling attenuation	31 ± 1 dB

#### Radiation Pattern (at mid-band)



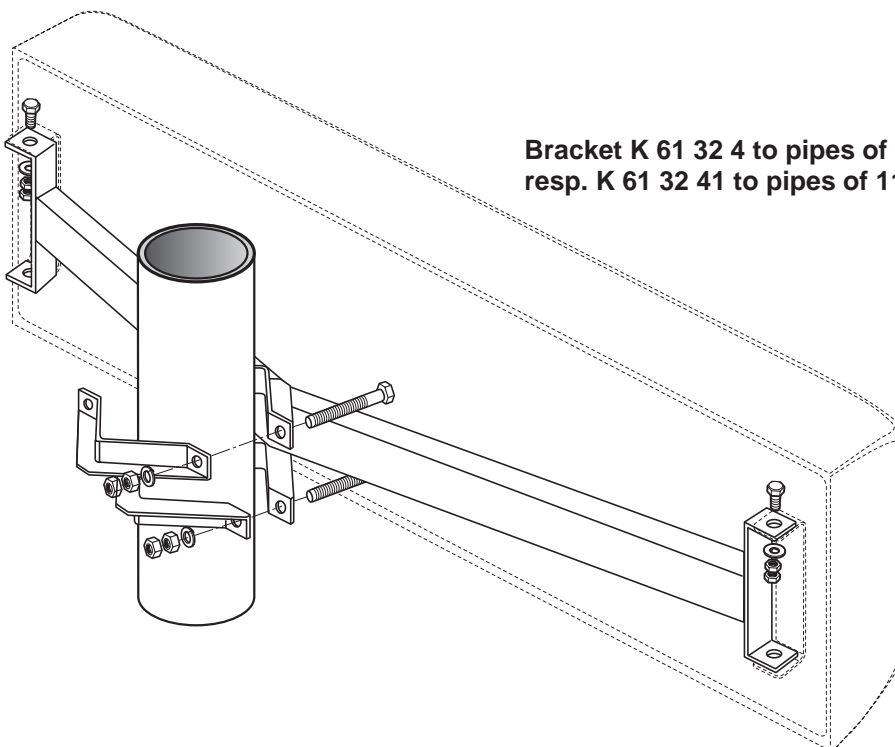
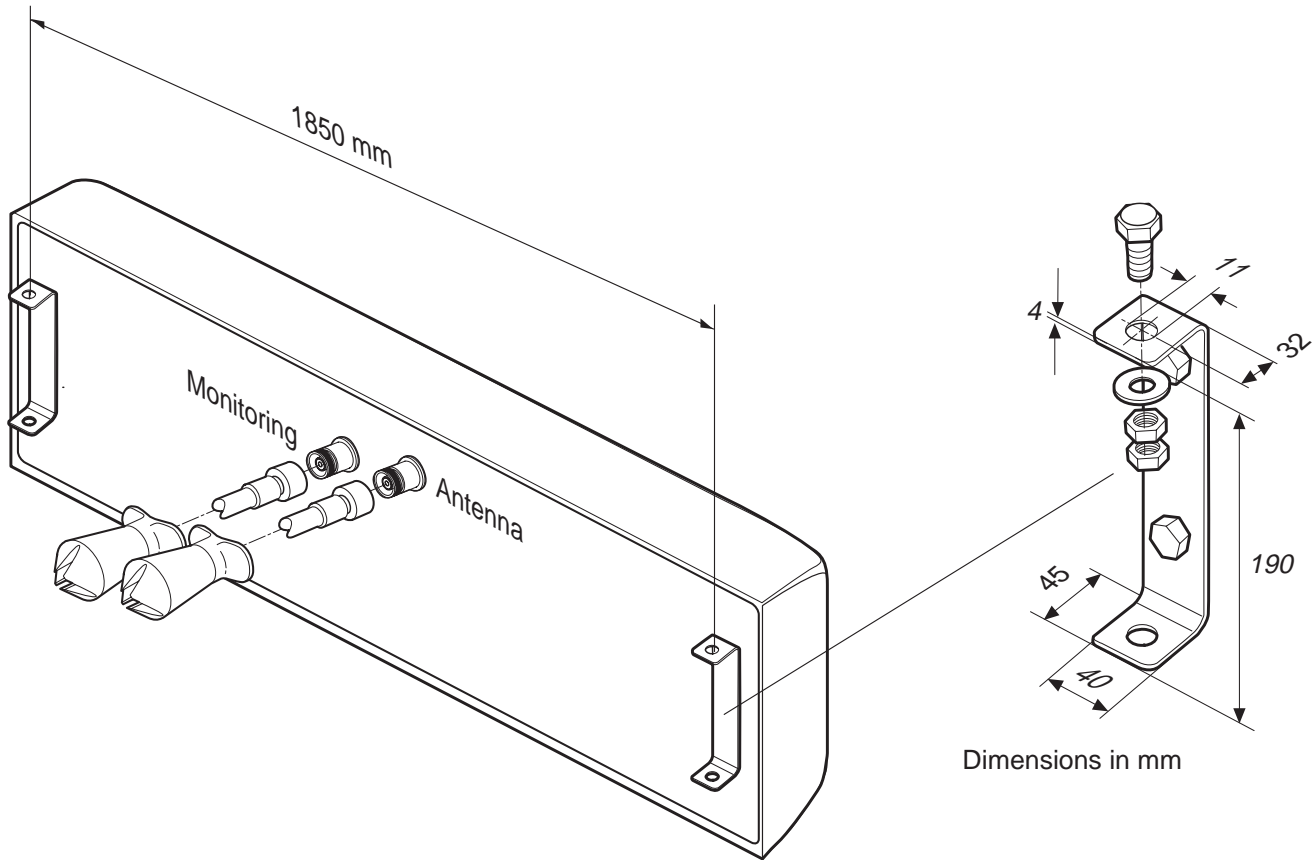
9985.606/a Subject to alteration.

All specifications are subject to change without notice.  
The latest specifications are available at [www.kathreinusa.com](http://www.kathreinusa.com)

# Mounting Instruction

## Glide Path Antenna

### 713 316 B



**Bracket K 61 32 4 to pipes of 60 – 115 mm OD  
resp. K 61 32 41 to pipes of 115 – 245 mm OD**

936.606/a Subject to alteration.

All specifications are subject to change without notice.  
The latest specifications are available at [www.kathreinusa.com](http://www.kathreinusa.com)