

# HDCA-5

## FM Yagi Antenna

### 88—108 MHz

The KUSA HDCA-5 is a ruggedly built yagi antenna, designed for professional FM transmit and receive applications.

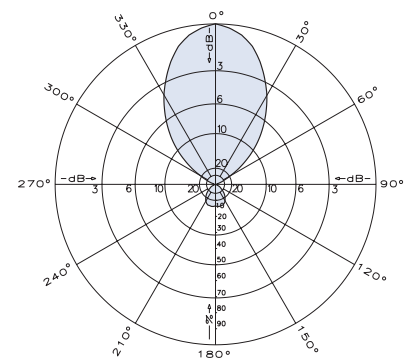
Like all KUSA antennas, the HDCA-5 is made of the finest materials using state of the art electrical and mechanical designs resulting in superior performance and long service life.

The HDCA-5 may be used stand alone or in stacked arrays for higher gain, increased side-lobe suppression, or custom azimuth patterns.

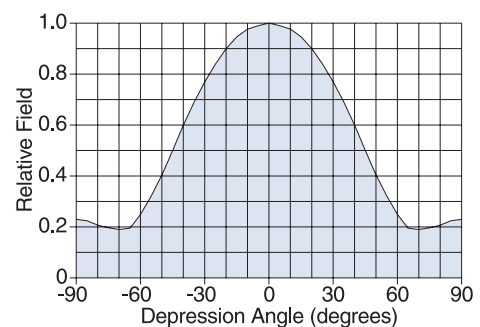


**HDCA-5/HRM**  
Horizontally polarized

Specifications	
Frequency range	Any specified FM channel 88 to 108 MHz
Gain	7.5 dBd
Power gain	5.62
Impedance	75 ohms (50 ohms with optional transformer)
VSWR	<1.5:1
Polarization	Horizontal
Front-to-back ratio	>14 dB
Maximum input power	250 watts, type "N" 75 ohm termination
Azimuth pattern	52 degrees (half-power)
Elevation pattern	68 degrees (half-power)
Connector	75Ω N female
Weight	21 lb (9.5 kg)
Dimensions	72.2 x 69.3 x 28.8 inches maximum (1834 x 1760 x 732 mm)
Wind load at 100 mph (161 kph)	
Front	81 lbf (360 N)
Wind survival rating*	120 mph (193 kph)
Shipping dimensions	78 x 6 x 5 inches maximum (1981 x 152 x 127 mm)
Shipping weight	23 lb (10.4 kg)
Mounting	For masts of 2.375 inch (60 mm) OD.
HDCA-5/HCM	Horizontal polarization center-mount
HDCA-5/HRM	Horizontal polarization rear-mount



**Azimuth pattern (E-plane - typical)**



**Elevation pattern (H-plane)**

\*Mechanical design is based on environmental conditions as stipulated in TIA-222-G-2 (December 2009) and/or ETS 300 019-1-4 which include the static mechanical load imposed on an antenna by wind at maximum velocity. See the Engineering Section of the catalog for further details.

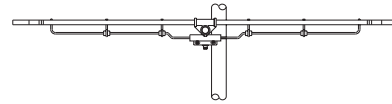
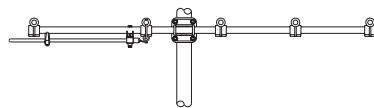
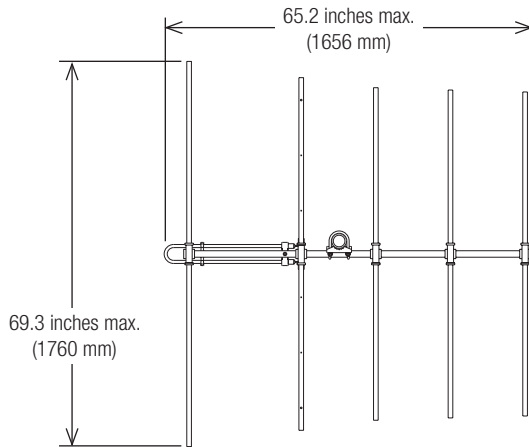
10766d subject to alteration



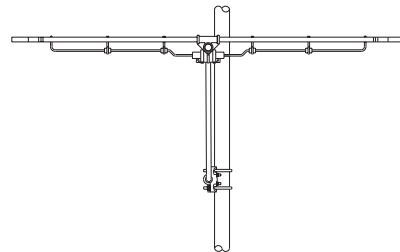
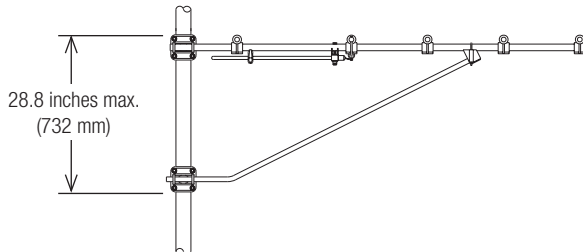
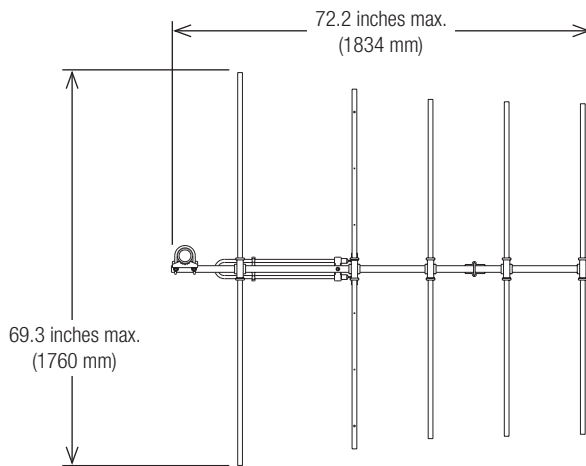
All specifications are subject to change without notice.  
The latest specifications are available at [www.kathreinusa.com](http://www.kathreinusa.com)

**HDCA-5**  
 FM Yagi Antenna  
 88—108 MHz

**KATHREIN**



**HDCA-5/HCM**  
 Horizontally polarized  
 FM (88—108 MHz)



**HDCA-5/HRM**  
 Horizontally polarized  
 FM (88—108 MHz)

10766d subject to alteration