

HDCA-10

FM Yagi Antenna

88—108 MHz

The KUSA HDCA-10 is a ruggedly built yagi antenna, designed for professional FM transmit and receive applications.

Like all KUSA antennas, the HDCA-10 is made of the finest materials using state of the art electrical and mechanical designs resulting in superior performance and long service life.

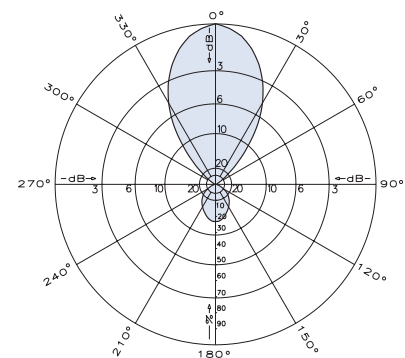
The HDCA-10 may be used stand alone or in stacked arrays for higher gain, increased side-lobe suppression, or custom azimuth patterns.



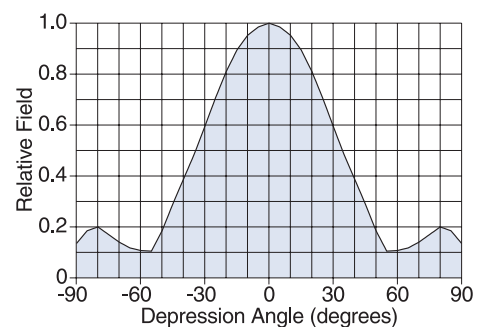
Specifications

Frequency range	Any specified FM channel 88 to 108 MHz
Gain	9.5 dBd
Power gain	8.91
Impedance	75 ohms (50 ohms with optional transformer)
VSWR	<1.5:1
Polarization	Horizontal
Front-to-back ratio	>14 dB
Maximum input power	250 watts, type "N" 75 ohm termination
Azimuth pattern	48 degrees (half-power)
Elevation pattern	50 degrees (half-power)
Connector	75Ω N female
Weight	34 lb (15.4 kg)
Dimensions	132.2 x 70.6 inches maximum (3358 x 1793 mm)
Wind load at 100 mph (161 kph)	
Front	149 lbf (663 N)
Wind survival rating*	120 mph (193 kph)
Shipping dimensions	125 x 6 x 5 inches (3175 x 153 x 127 mm)
Shipping weight	37 lb (16.8 kg)
Mounting	For masts of 2.375 inch (60 mm) OD.
HDCA-10/HCM	Horizontal polarization center-mount
HDCA-10/HRM	Horizontal polarization rear-mount

*Mechanical design is based on environmental conditions as stipulated in TIA-222-G-2 (December 2009) and/or ETS 300 019-1-4 which include the static mechanical load imposed on an antenna by wind at maximum velocity. See the Engineering Section of the catalog for further details.



Azimuth pattern (E-plane - typical)



Elevation pattern (H-plane)

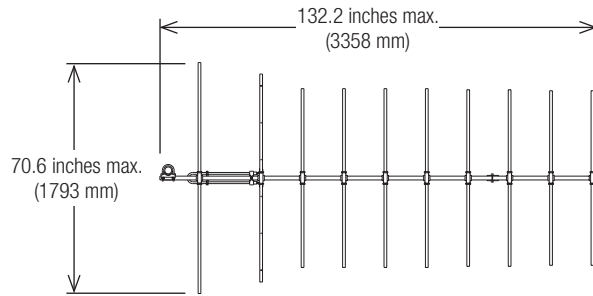
10767c subject to alteration



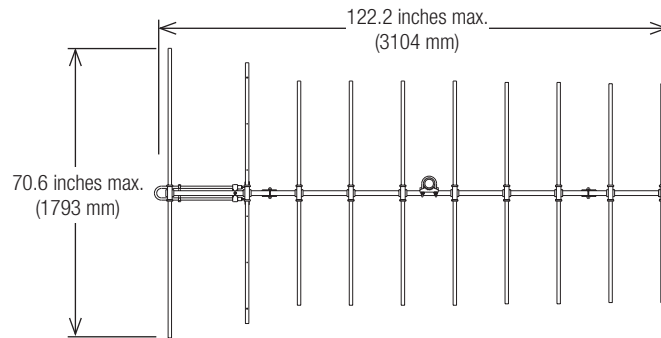
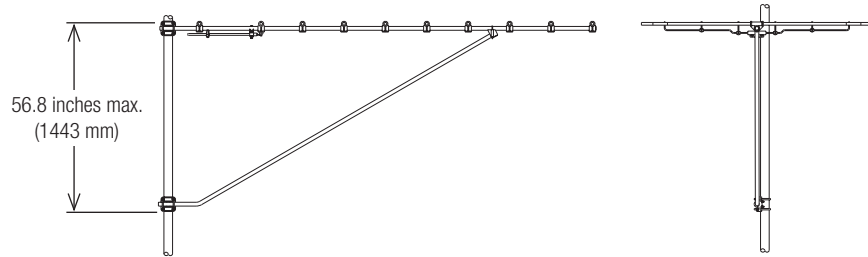
All specifications are subject to change without notice.
The latest specifications are available at www.kathreinusa.com

HDCA-10
FM Yagi Antenna
88—108 MHz

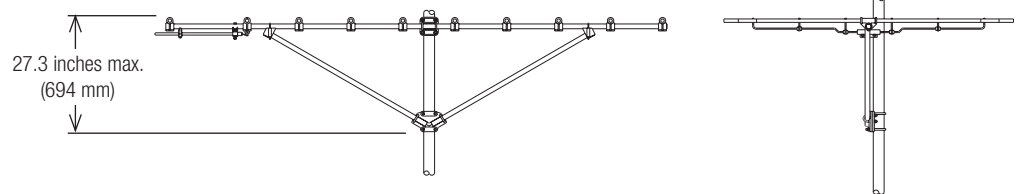
KATHREIN



HDCA-10/HRM
Horizontal polarized (rear-mount)



HDCA-10/HCM
Horizontally polarized (center-mount)



10767c subject to alteration