

# PDH(x) series

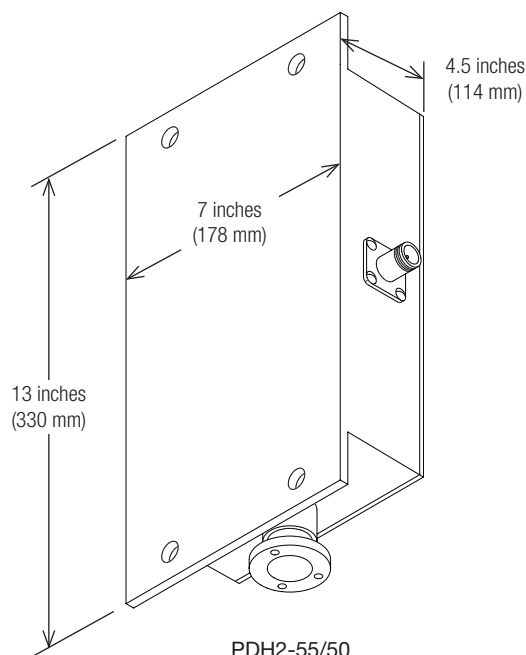
## RF High Power Dividers

### FM, VHF-TV and UHF-TV

**KATHREIN**

KUSA RF power dividers are designed for use in a number of professional applications including multi-element antenna arrays and radiating cable systems and other cases where efficient broadband power splitting is required. These dividers feature low insertion loss and excellent impedance match. Careful and conservative mechanical designs assure a long service life with high reliability and stability in even the most difficult environmental conditions.

KUSA has provided thousands of these rugged and reliable RF power dividers for communications and broadcasting systems over the past 40 years and we welcome the opportunity to help you find the best and most cost-effective solutions for your system requirements.



Note: Dimensions shown above do not include connectors.

Specifications	
Impedance	50 ohms
Insertion loss	<0.5 dB
VSWR	<1.2:1
Maximum input power	1000 watts
Connector	EIA flange input, N female outputs
Weight	30 lb (13.6 kg)
Dimensions	13 x 7 x 4.5 inches (330 x 178 x 114 mm)
Shipping dimensions	15 x 10 x 6 inches (381 x 254 x 153 mm)
Shipping weight	36.0 lb (16.4 kg)
Mounting	For masts of 1.25 to 2.375 inch (32 to 60 mm) OD.

PDH2-55/50		
Frequency range		
VHF-TV	channels 2 to 6	54 to 88 MHz (any single channel)
FM		88–108 MHz (broadband)
VHF-TV	channels 7–13	174–216 MHz (broadband)
UHF-TV	channels 14 to 69	470 to 806 MHz (any single channel)
Split		50% / 50%

PDH3-333/50		
Frequency range		
VHF-TV	channels 2 to 6	54 to 88 MHz (any single channel)
FM		88–108 MHz (broadband)
VHF-TV	channels 7 to 13	174 to 216 MHz (any single channel)
UHF-TV	channels 14 to 69	470 to 806 MHz (any single channel)
Split		33.3% / 33.3% / 33.3%

PDH4-2222/50		
Frequency range		
VHF-TV	channels 2 to 6	54 to 88 MHz (any single channel)
FM		88–108 MHz (broadband)
VHF-TV	channels 7 to 13	174 to 216 MHz (any single channel)
UHF-TV	channels 14 to 69	470 to 806 MHz (any single channel)
Split		25% / 25% / 25% / 25%

In addition to the standard models listed, KUSA offers a number of special types with optional features designed to facilitate system design and operation.

These include:

- **1KW-rated power dividers.** Two to eight-way equal splits, 7/8" EIA input.
- **Built-in impedance transformations** for 50Ω input and 75Ω outputs, or for 75Ω input and 50Ω outputs are available where 50Ω and 75Ω dividers must be used in the same system. KUSA's CX-series in-line coax transformers are also available for interfacing 50Ω and 75Ω RF system components.

Please contact KUSA sales engineering for information and pricing on RF power dividers designed for your specific requirements.

subject to alteration  
10752b



All specifications are subject to change without notice.  
The latest specifications are available at [www.kathreinusa.com](http://www.kathreinusa.com)