

Port Extender allows daisy chaining of FlexRET 86010153v01 when the FlexRET operates with two BTS. G-in and G-out is converting the AISG-out (female) of FlexRET to an AISG-in while maintaining the daisy chain capability on this port. Only for FlexRET 86010153v01.



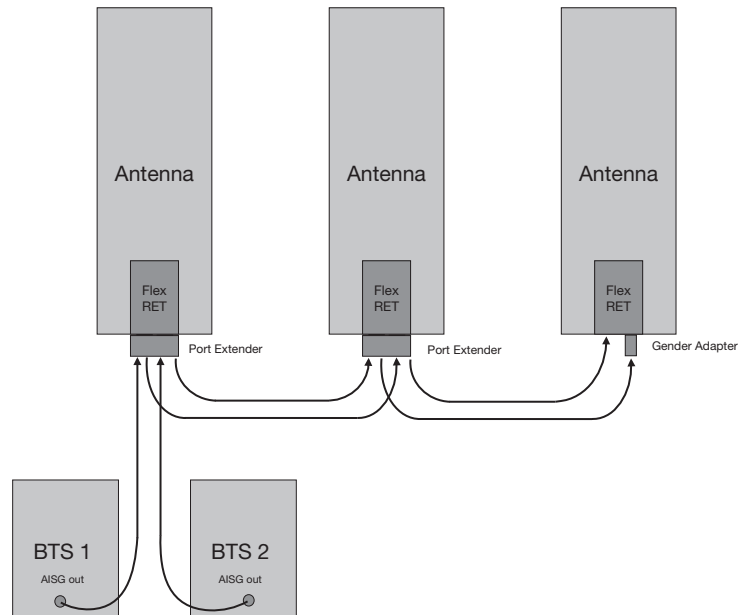
<b>Type No.</b>		<b>86010163</b>
Protocols		compliant to 3GPP/AISG 2.0
Input voltage range	V	10 ... 30 (pin 6)
Connectors		4 x 8 pin connector according to IEC 60130-9; according to AISG C485 Daisy chain in: male; Daisy chain out: female Daisy chain G-in: male; Daisy chain G-out: female
Hardware interfaces		RS 485A/B (pin 5, pin 3); power supply (pin 6); DC return (pin 7); according to AISG / 3GPP
Temperature range	°C	-40 ... +60
Protection class		IP 67 (installed)
Surge current capability		AISG interface (each pin) in combination with FlexRET 2.5 kA (10/350 µs) 8 kA (8/20 µs) according to IEC 61000-4-5
Weight	g lb	160 0.35
Packing size (H x W x D)	mm inches	90 x 70 x 70 3.5 x 2.8 x 2.8
Dimensions (H x W x D)	mm inches	44.5 x 81 x 62 1.8 x 3.2 x 2.4



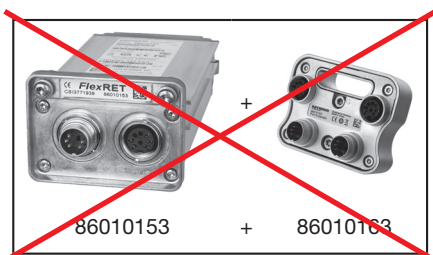
Standards: EN 60950-1 (Safety)  
EN 60950-22 (Safety – Equipment installed outdoor)  
ETS 300019-1-4 (Environmental)  
UL 60950-1; 1<sup>st</sup> edition

Certification: CE  
Scope of supply: Port Extender

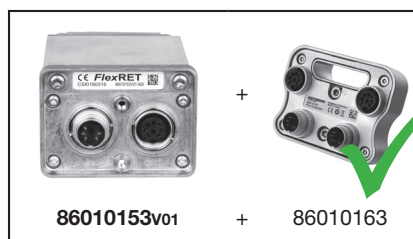
Notice:  
The Port Extender is solely to be used in combination with the FlexRET module 86010153v01. A combination with other modules, especially with the FlexRET module 86010153, must be avoided since this could lead to unexpected behaviour in the FlexRET module and could cause over-voltage in the primary power supply. For avoidance of doubt, the combination with any other module, with exception of the FlexRET module 86010153v01, could lead to a damage. In no event will Kathrein, its affiliates and/or subsidiaries be liable for direct, incidental, consequential, special, indirect damages arising from or relating to the combination with another module except FlexRET module 86010153v01. These limitations will apply even if Kathrein has been advised of the possibility of such damages and whether such damages are foreseeable or not.



936.5260 Subject to alteration.



In combination with 86010153:  
Port Extender is not usable.



In combination with **86010153v01**:  
Port Extender can be used.

All specifications are subject to change without notice.  
The latest specifications are available at [www.kathreinusa.com](http://www.kathreinusa.com)

## Installation introduction

- 1) Connect the Port Extender to the FlexRET Module and fix it with the two screws with a tightening torque of 1.6 Nm.
- 2) Connect a control cable to the AISG input of the Port Extender. The tightening torque for fixing the connector must be 0.5–1.0 Nm ('hand-tightened'). The connector should be tightened by hand or by a special screw driver (order no. 85010080). See also the data sheet for Kathrein AISG-cable (86010007, ...).

**Please note:** To ensure the tightness of the RET System, Kathrein recommend the use of Kathrein components only.

**Please note: If the daisy chain output is not used, do not remove the protection cap.** For daisy chain operation, remove the protection cap and attach a control cable to interconnect with the AISG input of the subsequent FlexRET.

- 3) Address the FlexRET single units to the BTS as desired.

**Please note:** At the G-in input where the Port Extender is connected, the serial number of the FlexRET module is in addition to the array ID also extended by the character "G" (example: CSG3415804G-Y1). The serial number of the FlexRET module at the "in"-input of the Port Extender remains as before, e.g. CSG3415804-Y2.

**Any previous data sheet issues have now become invalid.**