

Central Control Unit (CCU) For Remote Electrical Tilt (RET) and Tower Mounted Amplifier (TMA) Control

For indoor use



Central Control Unit

Type No.	86010006
Connectors ¹⁾ to RCU	3 x 8 pin connector acc. to IEC 60130-9, female, acc. to AISG
Power supply from BTS	DC: -48 V / max. 1.7 A AC: 100 ... 240 V / 50 ... 60 Hz / max. 1.6 A
Power supply to RCU	3 x +29 V DC / max. 1.7 A (in total) 3 x +13 V DC / max. 3.8 A (in total)
Total output power	Max. 50 W
Interface to RCU and TMA	RS 485 / power supply
Protocol to RCU and TMA	HDLC hex-coded command set, acc. to AISG
Interface to BTS	Ethernet (10 Base-T) and RS 232
Protocols to BTS	TCP/IP, PPP, HTTP/HTML, UDP, DHCP, FTP, SNMP, ICMP/PING
Alarm interface to BTS	8 x open collector output, user programmable
Max. number of RCU's and/or TMA's	Up to 27 RCU's in daisy chain and up to 6 DTMA's; depending on cable configuration and max. power
Max. length of control cable	200 m (9 RCU's in daisy chain configuration)
Temperature range	-25 °C ... +55 °C ambient temperature
Packing size	597 mm x 367 mm x 148 mm
Dimensions (h / w / d)	19" 1 HU* (43.6 mm / 483 mm / 250 mm)

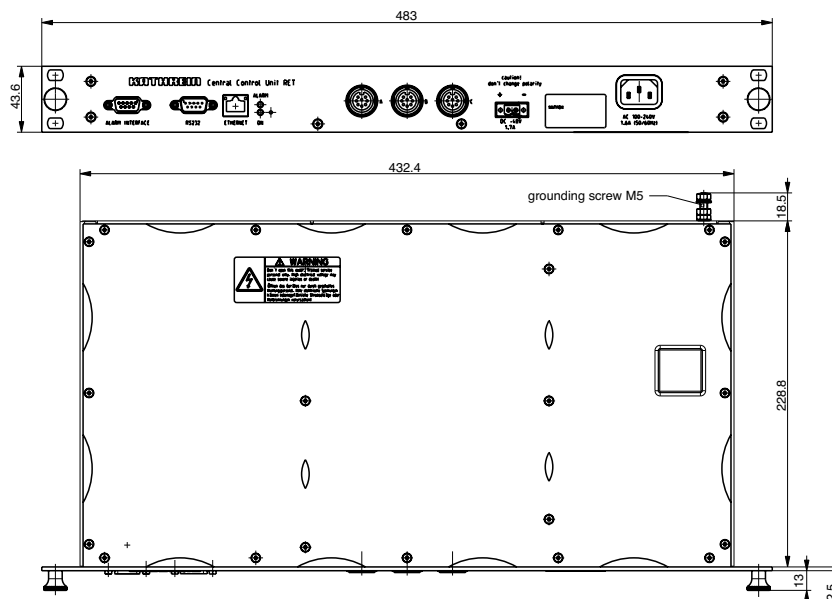
* HU = Height Unit

¹⁾ The tightening torque for fixing the connector must be 0.5 – 1.0 Nm ('hand tightened').
The connector should be tightened by hand only.

Standards: EN 60950-1
EN 55022
EN 55024
UL 60950-1, 1st edition

Certifications: CE, FCC part 15 class B; UL

Scope of supply: CCU
RET Manual
DC Cable
AC Power Cords for USA, UK and Germany
Ethernet cable, crossed



936.2310/g Subject to alteration.

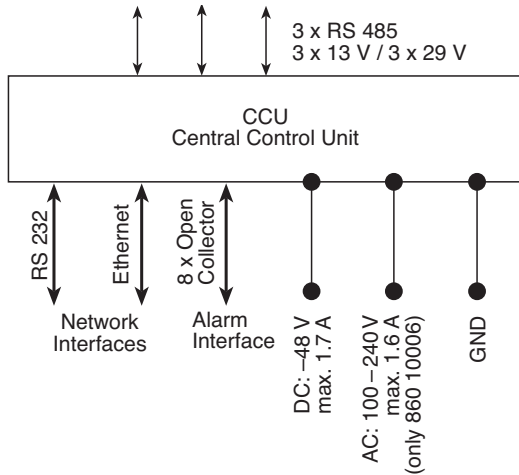
All specifications are subject to change without notice.
The latest specifications are available at www.kathreinusa.com

Central Control Unit (CCU) For Remote Electrical Tilt (RET) and Tower Mounted Amplifier (TMA) Control

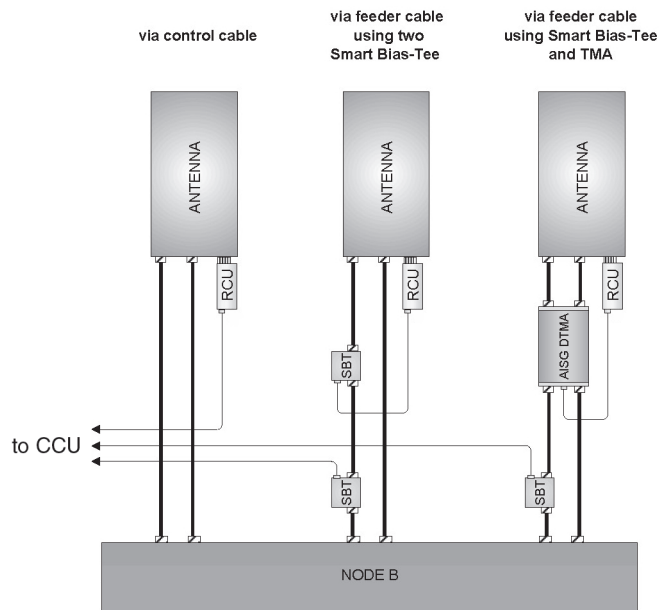
Please note:

In order to achieve lightning protection acc. to IEC 61643-1/-3 (10/350µs), please install the Kathrein Lightning Protection Device (type-no. 86010030). For additional information about lightning protection of the CCU, we kindly refer to RET Installation Manual.

CCU Interfaces



Examples of CCU – RCU connections



Kathrein's comprehensive RET-system consists of the following components:

- CCU (Central Control Unit)
- RCU (Remote Control Unit)
- PCA (Portable Control Adapter)
- AISG-DTMA (Tower Mounted Amplifier)
- Smart Bias Tee
- Control Cable
- DC Power and Signal Splitter
- Lightning Protection Device
- Earthing Clamp

For detailed information about all RET system components and RET accessories, please kindly refer to the Kathrein catalogue:

694 – 6000 MHz Base Station Antennas for Mobile Communications

Any previous data sheet issues have now become invalid.